



**BUILDING CODE COMPLIANCE OFFICE (BCCO)
PRODUCT CONTROL DIVISION**

**MIAMI-DADE COUNTY, FLORIDA
METRO-DADE FLAGLER BUILDING
140 WEST FLAGLER STREET, SUITE 1603
MIAMI, FLORIDA 33130-1563
(305) 375-2901 FAX (305) 372-6339**

NOTICE OF ACCEPTANCE (NOA)

www.miamidade.gov/buildingcode

**Master Wall Inc.
P.O. Box 397
Fortson, GA 31808**

SCOPE:

This NOA is being issued under the applicable rules and regulations governing the use of construction materials. The documentation submitted has been reviewed by Miami-Dade County Product Control Division and accepted by the Board of Rules and Appeals (BORA) to be used in Miami Dade County and other areas where allowed by the Authority Having Jurisdiction (AHJ).

This NOA shall not be valid after the expiration date stated below. The Miami-Dade County Product Control Division (In Miami Dade County) and/or the AHJ (in areas other than Miami Dade County) reserve the right to have this product or material tested for quality assurance purposes. If this product or material fails to perform in the accepted manner, the manufacturer will incur the expense of such testing and the AHJ may immediately revoke, modify, or suspend the use of such product or material within their jurisdiction. BORA reserves the right to revoke this acceptance, if it is determined by Miami-Dade County Product Control Division that this product or material fails to meet the requirements of the applicable building code.

This product is approved as described herein, and has been designed to comply with the Florida Building Code, including the High Velocity Hurricane Zone.

DESCRIPTION: Aggre-Flex EIF System

APPROVAL DOCUMENT: Drawing titled "Master Wall Aggre-Flex EIFS", Sheets 1 through 5 of 5, dated 10/13/10, prepared by Master Wall Inc, signed and sealed by Ray F. Tucker, P.E., bearing the Miami-Dade County Product Control revision stamp with the Notice of Acceptance number and expiration date by the Miami-Dade County Product Control Division.

MISSILE IMPACT RATING: Large and Small Missile Impact Resistant

LABELING: Each unit shall bear a permanent label with the manufacturer's name or logo, Lithonia, GA and following statement: "Miami-Dade County Product Control Approved", unless otherwise noted herein.

RENEWAL of this NOA shall be considered after a renewal application has been filed and there has been no change in the applicable building code negatively affecting the performance of this product.

TERMINATION of this NOA will occur after the expiration date or if there has been a revision or change in the materials, use, and/or manufacture of the product or process. Misuse of this NOA as an endorsement of any product, for sales, advertising or any other purposes shall automatically terminate this NOA. Failure to comply with any section of this NOA shall be cause for termination and removal of NOA.

ADVERTISEMENT: The NOA number preceded by the words Miami-Dade County, Florida, and followed by the expiration date may be displayed in advertising literature. If any portion of the NOA is displayed, then it shall be done in its entirety.

INSPECTION: A copy of this entire NOA shall be provided to the user by the manufacturer or its distributors and shall be available for inspection at the job site at the request of the Building Official. This NOA revises NOA # 07-0618.05 and consists of this page 1 and evidence page E-1, as well as approval document mentioned above.

The submitted documentation was reviewed by **Carlos M. Utrera, P.E.**



[Handwritten Signature]
11/09/10

**NOA No. 10-0127.01
Expiration Date: May 30, 2012
Approval Date: December 02, 2010
Page 1**

NOTICE OF ACCEPTANCE: EVIDENCE SUBMITTED

A. DRAWINGS

1. Drawing titled "Master Wall Aggre-Flex EIFS", Sheets 1 through 5 of 5, dated 10/13/10, prepared by Master Wall Inc, signed and sealed by Ray F. Tucker, P.E.

B. TESTS

1. Test reports on 1) Air Infiltration Test, per FBC, TAS 202-94
2) Uniform Static Air Pressure Test, Loading per FBC TAS 202-94
3) Water Resistance Test, per FBC, TAS 202-94
4) Large Missile Impact Test per FBC, TAS 201-94
5) Cyclic Wind Pressure Loading per FBC, TAS 203-94
along with marked-up drawings and installation diagram of Master Wall EIF systems, prepared by Intertek, Test Report No. **3186812MID-01**, dated 08/24/09, signed and sealed by Rick Curkeet.

2. Laboratory	Test	Date	Signature
CTLA-620W	PA202 & 203	03/27/01	Ramesh C. Patel, P.E
<i>"Submitted under NOA # 01-0404.06"</i>			

C. CALCULATIONS

1. None.

D. QUALITY ASSURANCE

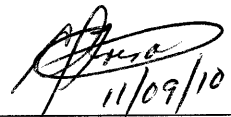
1. Miami Dade Building Code Compliance Office (BCCO)

E. MATERIAL CERTIFICATIONS

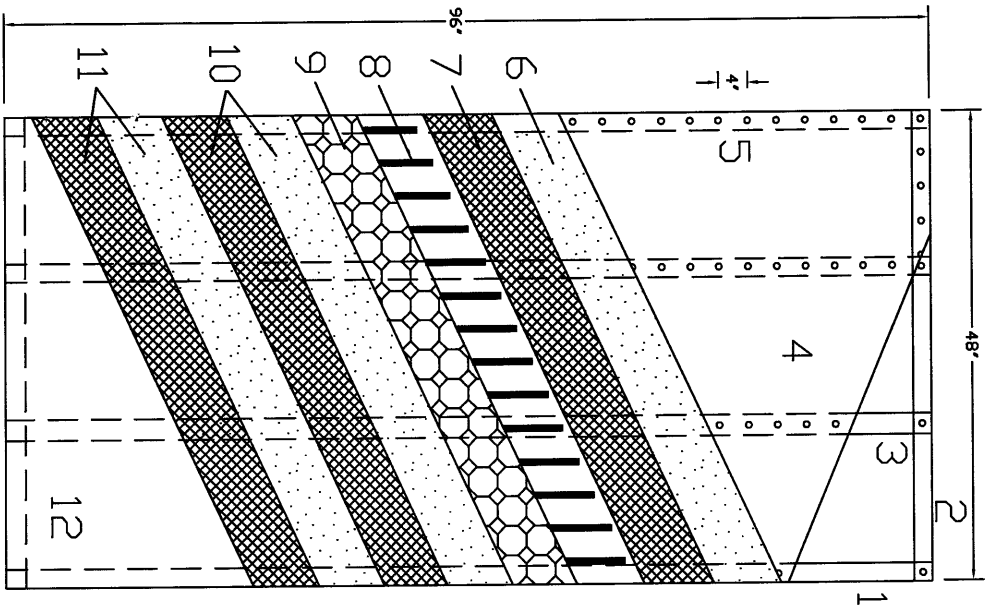
1. Notice of Acceptance No. **07-1107.08**, issued to Dyplast Products, LLC, for the EPS Block Type Insulation, approved on 02/28/08 and expiring on 01/11/12.

F. STATEMENTS *"Submitted under NOA # 01-0404.06"*

1. Code compliance letters issued by Builder's Engineering Network, Inc, dated 04/02/01, signed and sealed by M. C. Fetherman, P.E.
2. No financial letter issued by Master Wall, Inc, dated 12/08/02, signed by Dennis Deppner.



Carlos M. Utrera, P.E.
Product Control Examiner
NOA No. 10-0127.01
Expiration Date: May 30, 2012
Approval Date: December 02, 2010



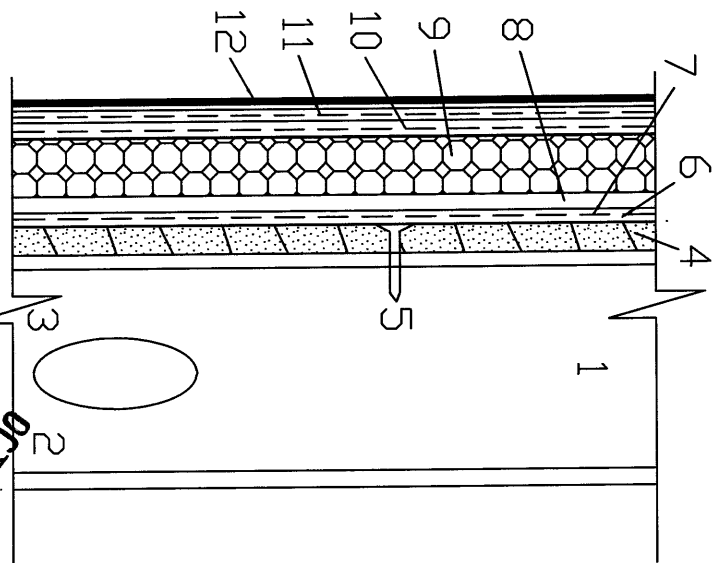
Material List

1. 6" x 16 gage (64 mil) steel studs at 16" o.c.
2. 6" x 16 gage (64 mil) steel track
3. Fastened to steel studs with #8 x 1/2" self drilling pan head screw
4. 5/8" Dens Glass Gold sheathing meeting ASTM C1177
5. Minimum #6 x 1-1/4" bugle head screws spaced at 4" o.c. along framing members
6. Master Wall F&M base coat mixed 1:1 by weight with Portland cement and water.
7. Master Wall Hi-Tech 6.0 oz/sy fiberglass reinforcing mesh embedded in the Master Wall base coat. Lap Hi-Tech mesh a minimum of 2-1/2" at all edges.
8. Adhere the expanded polystyrene (EPS) insulation board with Master Wall F&M Mixture. The adhesive is applied with a 3/8" x 1/2" notched trowel with notches spaced a maximum of 1-1/2" o.c. The adhesive shall be applied to the back side of the EPS in a vertical orientation.
9. Minimum 1" thick insulation board meeting Master Wall specifications. Insulation board shall possess a current NOA with Miami Dade County.
10. Master Wall Ultra Mesh. 21.0 oz/sy fiberglass reinforcing mesh embedded into the F&M base coat. Butt mesh tightly, do not overlap
11. Master Wall Standard reinforcing mesh. 4.5 oz/sy embedded into the F&M base coat. Lap mesh a minimum of 2-1/2" at all edges.
12. Master Wall Superior Finish. 100% acrylic based dirt pickup resistant (DPR) finish.

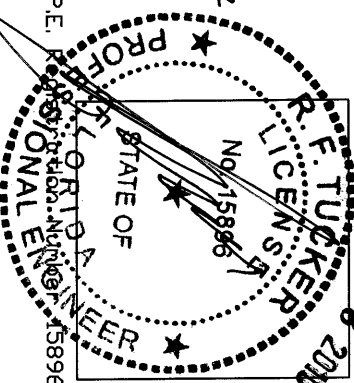
General Notes

1. The system has been designed in accordance with the Florida Building Code 2007 Edition and its latest supplements.
2. This system has been tested in accordance with Miami Dade County Protocols TAS 201, TAS 202 and TAS 203. Impact, structural and cyclic testing.
3. This system shall be applied by a licensed plastering contractor following this notice of acceptance, the recommendations of Master Wall Inc. and the applicable sections of the Florida Building Code.
4. The Engineer and/or Architect of record for each project using this system shall size all stud framing to ensure conformance with stud deflection and stress limitations as required by all governing codes and this document.
5. Insulation boards shall be positioned in a running bond pattern.
6. All steel studs shall be structural with 1-5/8" minimum flange width and have a minimum yield strength of 33000 psi.
7. Details on sheets 4 and 5 are typical and show intent to prevent water infiltration into and behind this system. Alternative details and specific conditions not covered by the typical details are the responsibility of the licensed design professionals.

DESIGN PRESSURE +/- 110psf



PRODUCT REVISED
 By *[Signature]*
 Miami Dade Product Control
 Division

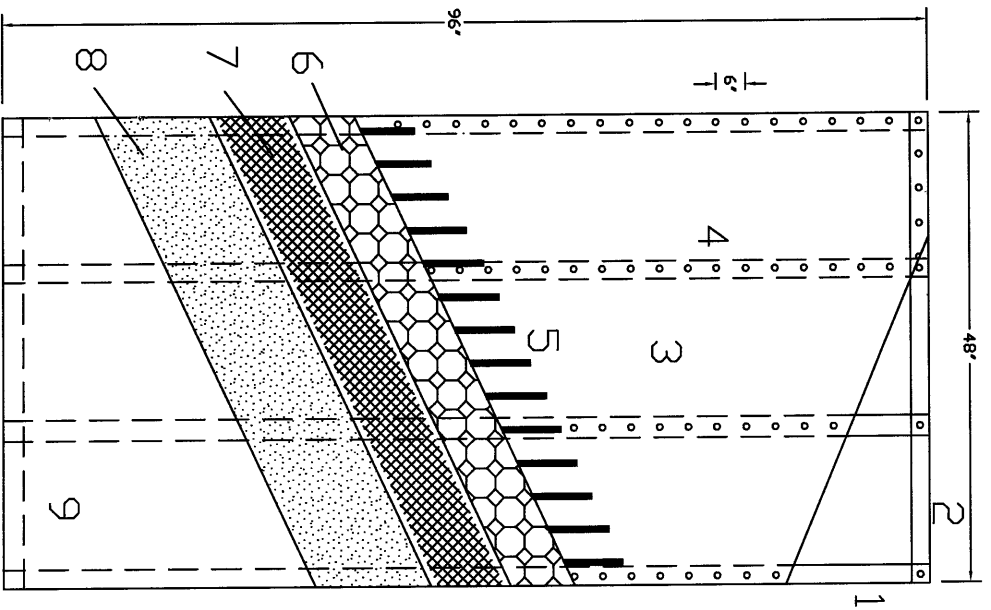


R.F. Tucker, P.E. 15896

Sheet 1 of 5
 Date Issued: 10/13/10
 Revisions

Master Wall Aggre-flex EIFS
 Large Scale Missile
 Dens Glass Gold Substrate

Master Wall Inc.
 Building a Culture of Excellence
 P.O. Box 307 Fortson, GA 31808 800-755-0825 FAX 706-365-0892
 masterwall.com



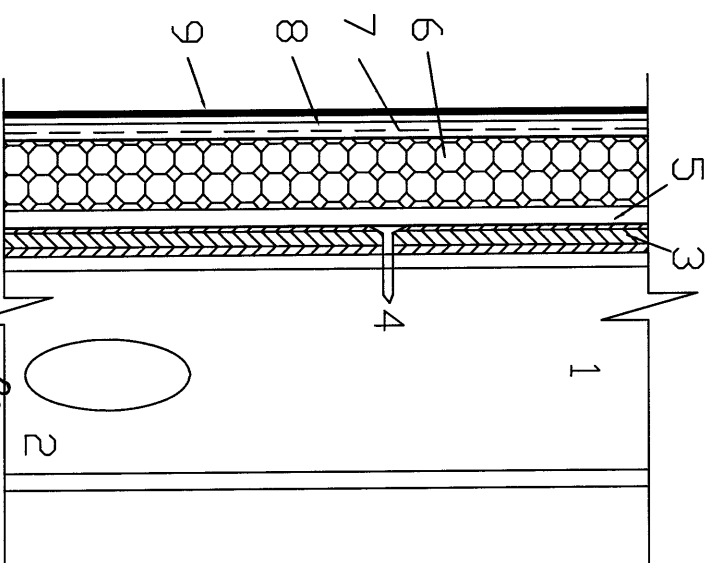
Material List

1. Framing
2. Top/Bottom Plywood
3. 5/8" 5-ply plywood
4. Minimum 1-1/2" #12 ring shank nails spaced at 6" o.c. along framing members
5. Adhere the expanded polystyrene (EPS) insulation board with Master Wall EPSA adhesive. The adhesive is applied with a 3/8" x 1/2" notched trowel with notches spaced a maximum of 2" o.c. The adhesive shall be applied to the back side of the EPS in a vertical orientation.
6. Minimum 3/4" thick insulation board meeting Master Wall specifications. Insulation board shall possess a current NOA with Miami Dade County.
7. Master Wall Standard Mesh, 4.5 oz/sy fiberglass reinforcing mesh embedded into base coat. Lap mesh a minimum of 2-1/2" at all edges.
8. Master Wall F&M base coat.
9. Master Wall Superior Finish, 100% acrylic based dirt pickup resistant (DPR) finish.

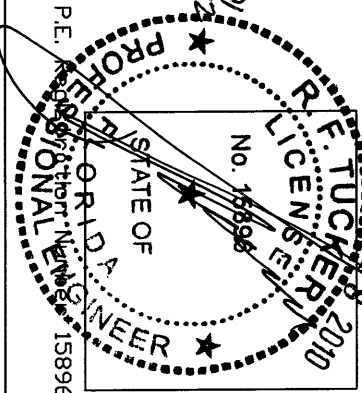
General Notes

1. The system has been designed in accordance with the Florida Building Code 2007 Edition and its latest supplements.
2. This system has been tested in accordance with Miami Dade County Protocols TAS 202 and TAS 203, structural and cyclic testing.
3. This system shall be applied by a licensed plastering contractor following this notice of acceptance, the recommendations of Master Wall Inc. and the applicable sections of the Florida Building Code.
4. The Engineer and/or Architect of record for each project using this system shall size all stud framing to ensure conformance with stud deflection and stress limitations as required by all governing codes and this document.
5. Insulation boards shall be positioned in a running bond pattern.
6. All steel studs shall be structural with 1-5/8" minimum flange width and have a minimum yield strength of 33000 psi.
7. Details on sheets 4 and 5 are typical and show intent to prevent water infiltration into and behind this system. Alternative details and specific conditions not covered by the typical details are the responsibility of the licensed design professionals.

DESIGN PRESSURE +/- 140psf



PRODUCT REVISED
 as complying with the Florida
 Building Code
 Acceptance No. 10-0127-01
 Expiration Date 05/30/2012
 By: [Signature]
 Miami Dade Product Control
 Division

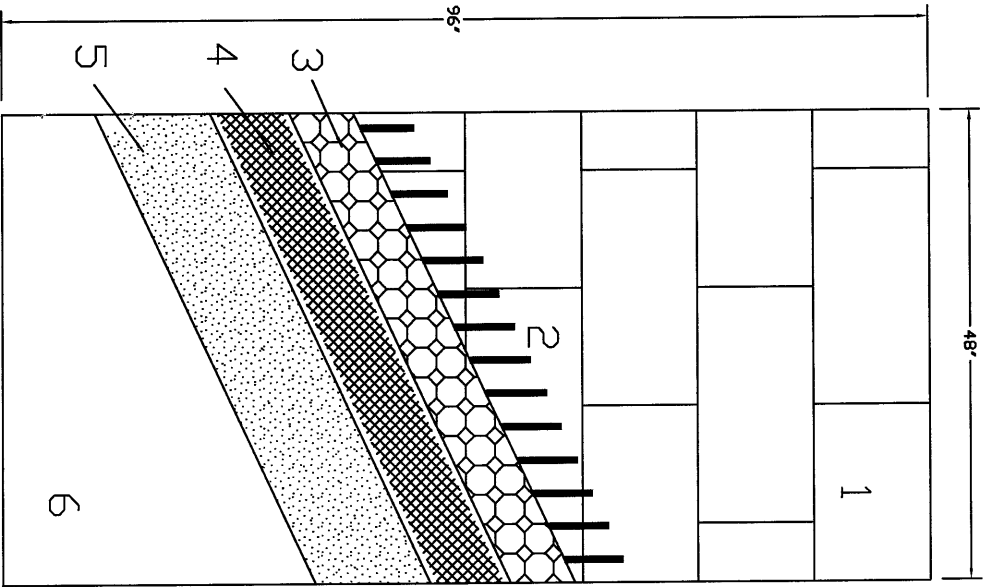


R.F. Tucker, P.E. Registration No. 15896

Sheet 2 of 5
 Date Issued: 10/13/10
 Revisions

Master Wall Aggre-Flex EIFS
 Installed over an Impact-Resistant Substrate
 Plywood Substrate

Master Wall Inc.
 Building a Culture of Excellence
 P.O. Box 387 Fortson, GA 31008 800-755-0625 FAX 706-365-0092
 masterwall.com



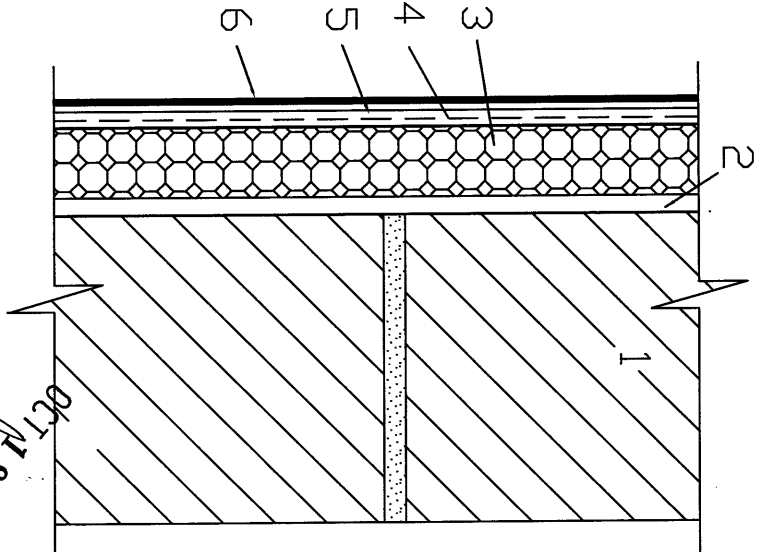
Material List

1. C.B.S (CMU) Wall
2. Adhere the expanded polystyrene (EPS) insulation board to a clean, dry unpainted CMU with Master Wall F&M adhesive. The adhesive is applied with a 3/8" x 1/2" notched trowel with notches spaced a maximum of 1-1/2" o.c. The adhesive shall be applied to the back side of the EPS in a vertical orientation.
3. Minimum 3/4" thick insulation board meeting Master Wall specifications. Insulation board shall possess a current NOA with Miami Dade County.
4. Master Wall Standard Mesh, 4.5 oz/sy fiberglass reinforcing mesh embedded into base coat. Lap mesh a minimum of 2-1/2" at all edges.
5. Master Wall F&M base coat.
6. Master Wall Superior Finish, 100% acrylic based dirt pickup resistant (DPR) finish.

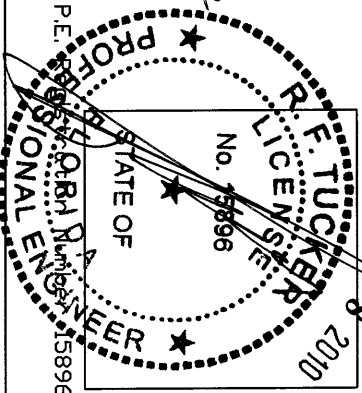
General Notes

1. The system has been designed in accordance with the Florida Building Code 2007 Edition and its latest supplements.
2. This system has been tested in accordance with Miami Dade County Protocols TAS 202 and TAS 203; structural and cyclic testing.
3. This system shall be applied by a licensed plastering contractor following this notice of acceptance, the recommendations of Master Wall Inc. and the applicable sections of the Florida Building Code.
4. The Engineer and/or Architect of record for each project using this system shall size the substrate to ensure conformance with stud deflection and stress limitations as required by all governing codes and this document.
5. Insulation boards shall be positioned in a running bond pattern.
6. Details on sheets 4 and 5 are typical and show intent to prevent water infiltration into and behind this system. Alternative details and specific conditions not covered by the typical details are the responsibility of the licensed design professionals.

DESIGN PRESSURE +/- 140psf



PRODUCT REVISED
 as complying with the Florida Building Code
 Acceptance No. 10-0127-01
 Expiration Date 02/20/2012
 By: [Signature]
 Miami Dade Product Control Division



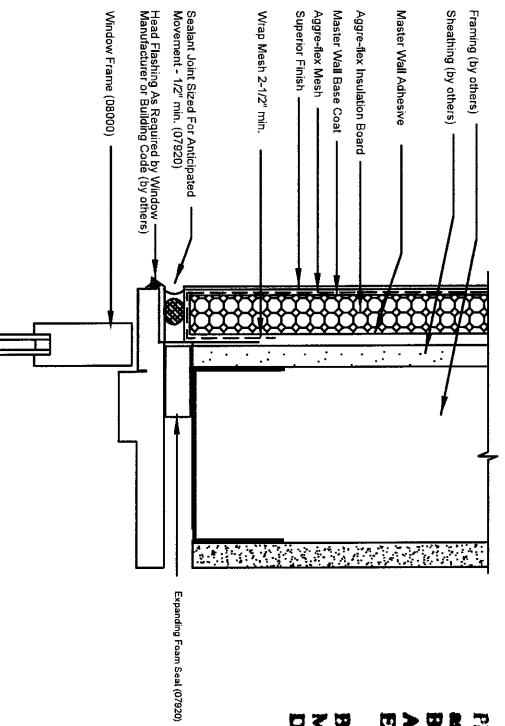
R.F. Tucker, P.E. License No. 75896

Sheet 3 of 5
 Date Issued: 10/13/10
 Revisions

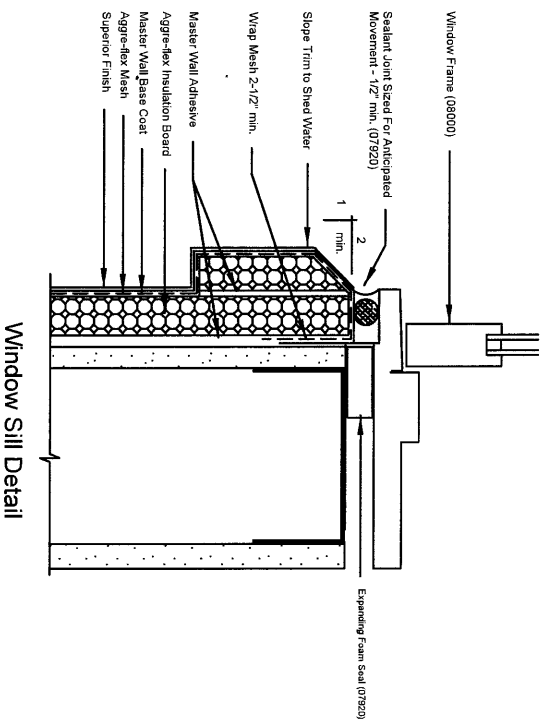
Master Wall Aggre-flex EIFS
 Installed over an Impact-Resistant Substrate
 CMU Substrate

Master Wall Inc.
 Building a Culture of Excellence
 P.O. Box 397 Fortson, GA 31808 800-755-0828 FAX 706-865-0092
 masterwall.com

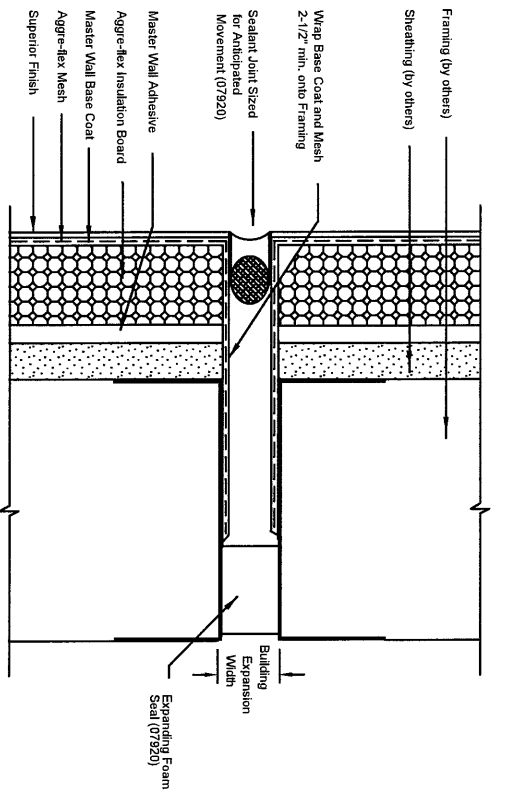
PRODUCT REVISED
 as complying with the Florida
 Building Code
 Acceptance No **10-0127-01**
 Expiration Date **05/30/2012**
 By *[Signature]*
 Master/Dade Product Control
 Division



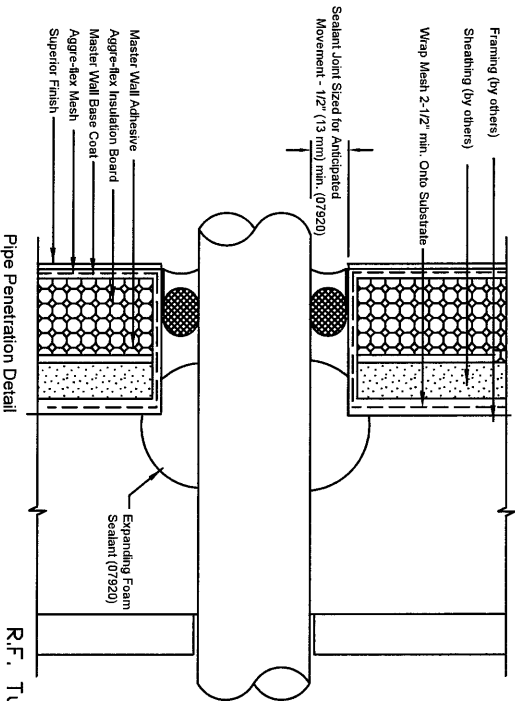
Window Head/Jamb Detail



Window Sill Detail

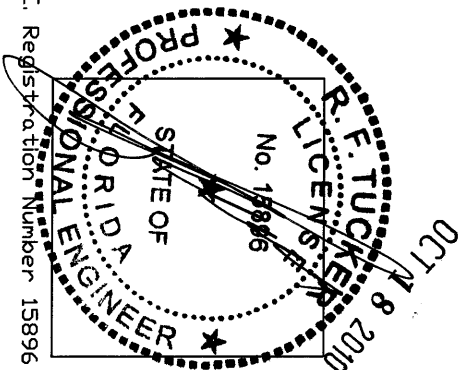


Typical Vertical Expansion Joint



Pipe Penetration Detail

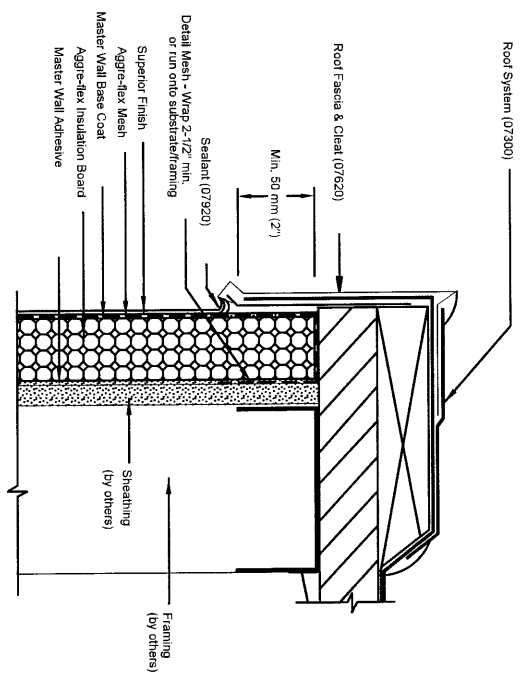
R.F. Tucker, P.E. Registration Number 15896



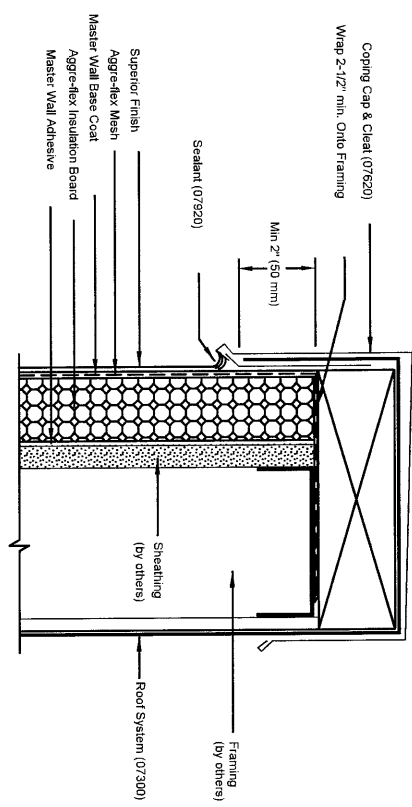
Sheet 4 of 5
 Date Issued: 10/13/10
 Revisions

Master Wall Aggre-flex EIFS
 Assembly Details

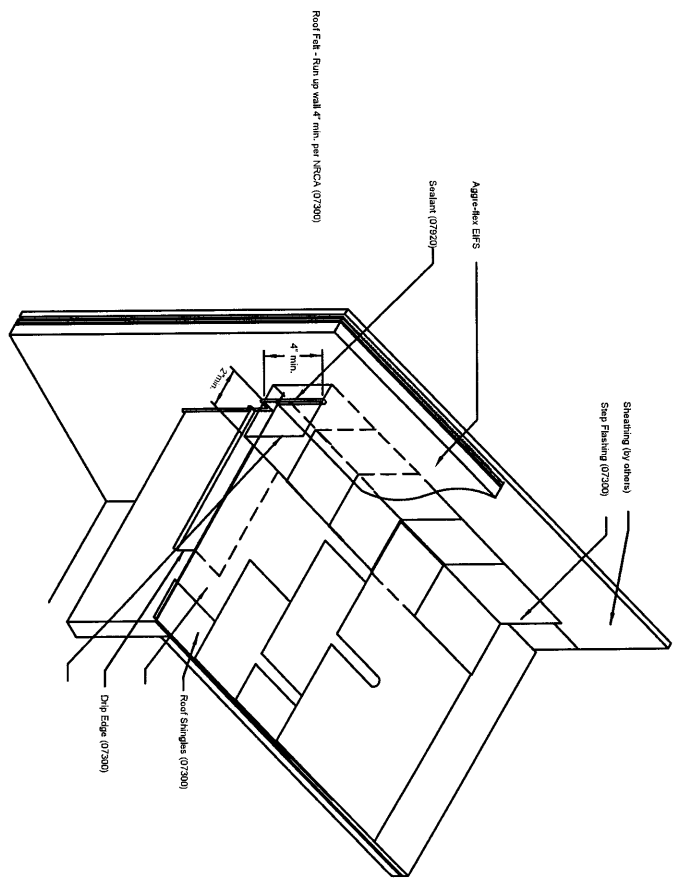
Master Wall Inc.
 Building a Culture of Excellence
 P.O. Box 397 Fortson, GA 31008 800-758-0825 FAX 766-568-0092
 MasterWall.com



Cap Detail



Cap Detail



Typical Roof/Wall Intersection

NOTE:
 1. Kickout Flashing Must Be Angled 100 Degrees min.
 To Allow For Proper Drainage.
 2. Kick Out Flashing Seams Must Be Sealed
 or Sealed with Appropriate Sealant.
 3. Aggre-flex System Should Cover the Flashing a Minimum of 2'
 And Shoudl End About 1'-2" (2550mm) Above Roof or in Accretion Area With

PRODUCT REVISED
 as complying with the Florida
 Building Code
 Acceptance No 18-0127-01
 Expiration Date 05/30/2012
 By [Signature]
 Miami Date Product Control
 Division

R.F. Tucker, P.E. Registered Professional Engineer
 No. 17896
 STATE OF FLORIDA
 PROFESSIONAL ENGINEER
 OCT 18 2010

Sheet 5 of 5
 Date Issued: 10/13/10
 Revisions

Master Wall Aggre-flex EIFS
 Assembly Details

Master Wall Inc.
 Building a Culture of Excellence
 P.O. Box 357 Fernand, GA 31808 800-755-0225 FAX 706-659-2092
 MASTERWALL.COM