



Submittal Package

Cemplaster Stucco Level II

Project:

Location:

Architect:

General Contractor:

Applicator:

Benefits of Master Wall

- American owned and privately managed, our focus is the customer
- 20+ year track record, projects from coast to coast
- Quality products featuring 100% pure acrylic polymers
- Dedicated to the EIFS & Stucco Markets, it's **what** we do, not part of what our company does
- Experienced Staff—100+ years of experience
- Service—we provide it!
 - Job site visits
 - Color matching
 - Architectural Support
 - Samples
 - Plan, detail and technical reviews
- Dedicated to a culture of excellence

More Information



Cemplaster Stucco

Submittal Information:

- *System Data Sheets*
- *Product Data Sheets*
- *Specifications*
- *Details*
- *Sample Labor/Material Limited Warranty*

Manufactured by



P. O. Box 397
Fortson, GA 31808
800-755-0825
Technical 800-760-2861
www.masterwall.com



09 24 00 / 09 25 00

Cemplaster Stucco

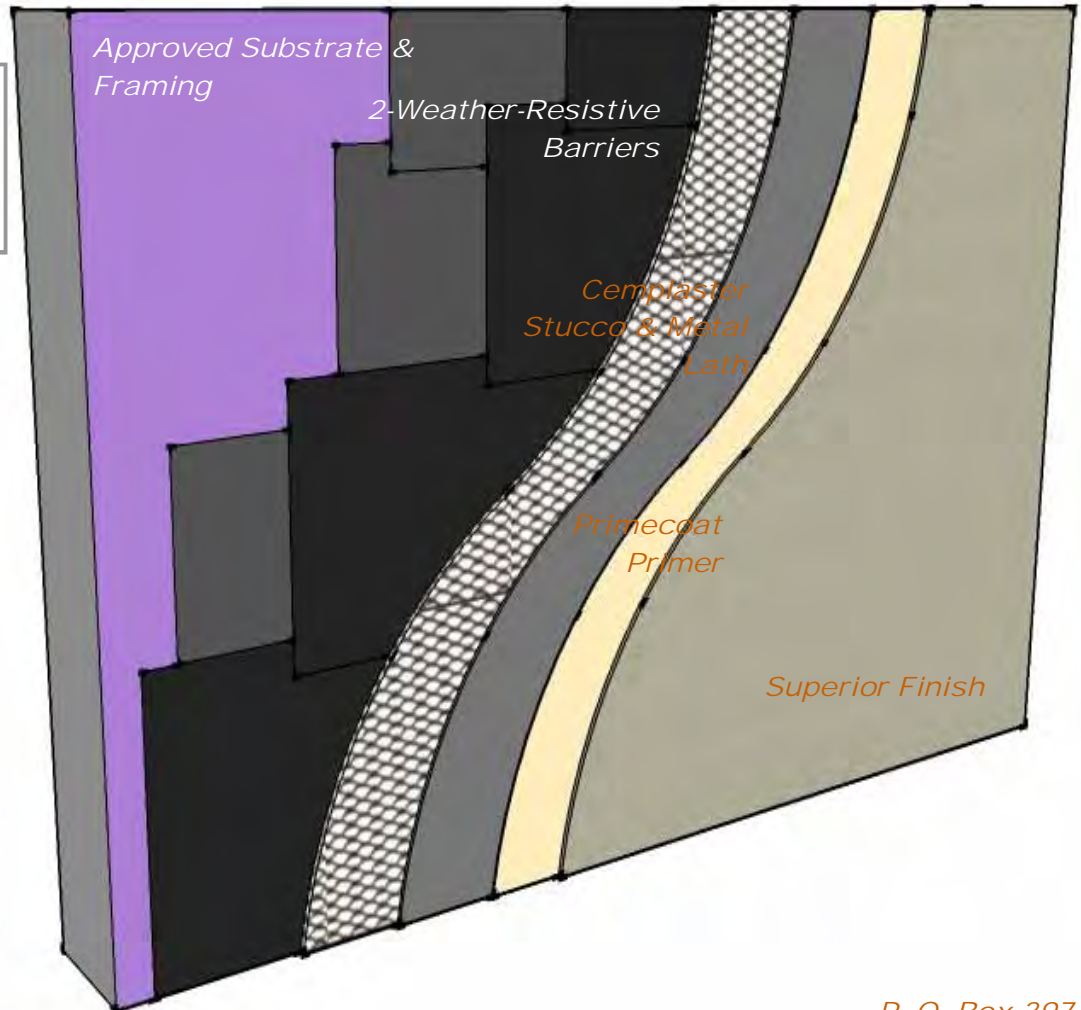
Portland Cement Fibered Stucco with a warranty

Master Wall's Cemplaster Stucco is a Portland cement stucco with a manufacturers warranty. Installations are centered around ASTM C926 stucco as required in most building codes. Fibers are added for durability Cemplaster Stucco is packaged in ready mix or concentrate versions.

Features & Benefits

- 5, 7 & 10-year warranties available
- Traditional Stucco, but better

System Uses



P. O. Box 397
 Fortson, GA 31808
 800-755-0825
 Technical 800-760-2861
 masterwall.com

Cemplaster Stucco Short Form Specification 09 24 00



1.0 General

This is a short form specification. Refer to *Cemplaster Stucco* specifications and details for additional information.

1.1 System Description

The Master Wall *Cemplaster Stucco* System consists of a custom Portland cement stucco mix meeting ASTM C926 as required in major building codes. Insulation board and mesh may be used for trim accessories.

1.2 Design Requirements: Code References:

- International Building Code, Chapter 25*
- Standard Building Code, Chapter 25*
- BOCA National Building Code, Chapter 25*
- Uniform Building Code, Chapter 25*

- A. Reference Master Wall suggested details and architectural drawings for specific detail requirements.
- B. Slope all surfaces a minimum of 1:2 (6" in 12") to shed water, maximum 12" (305 mm) wide.
- C. Maximum deflection of substrates shall not exceed L/360.
- D. Typical acceptable substrates include unpainted brick, masonry, concrete, exterior grade gypsum sheathing (ASTM C-79), Dens Glass Gold® (ASTM C-1177), CDX exterior grade plywood, Exposure 1 Oriented Strand Board (OSB). Contact Master Wall for other approved substrates.
- E. Two layers of a code-approved weather-resistive barrier is required when applying stucco over sheathing.
- F. Expansion joints are required at building expansion joints, panel joints, floor lines in wood framed construction, and other areas where significant movement occurs.
- G. Control joints are required to be located by the designer. Reference Master Wall specifications for specific recommendations.
- H. Detail and install trim accessories according to the approved trim manufacturer's requirements.

See full specifications and details at masterwall.com

1.3 Quality Assurance

- A. The Finishes shall be tested for: Accelerated weathering, mildew resistance, salt spray resistance and structural performance.
- B. The Finishes shall have been tested for fire performance in accordance with ASTM E-84.

1.4 Job Conditions

- A. Store all materials protected from weather and direct sunlight at temperatures above 40°F (5°C).
- B. The ambient and wall temperature shall be a minimum of 40°F (5°C) and shall remain so for at least 24 hours after installation.

2.0 Products

All components of the *Cemplaster Stucco* System shall be manufactured by Master Wall and supplied by an authorized distributor.

- A. Metal Lath and accessories meeting ASTM C-847, ASTM C926 and C1063. Fasten according to ASTM & Master Wall requirements
- B. Master Wall *Cemplaster Stucco* meeting ASTM C-926, mix C or CL, bagged concentrate or ready mixed version.
- C. Sand meeting ASTM C897
- D. Adhesives and Foam Trim: Apply using Master Wall products following approved methods.
- E. Admixtures: Stucco Ad Liquid 100% pure acrylic based stucco modifier to eliminate fogging and reduce cracking.
- F. Superior, Elastomeric or Elastomeric Plus Finish: 100% pure acrylic formulation with integral color and texture. Perfect, Spray, Desert Sand, R-Coarse and Refinish textures.
- G. Master Wall Coatings:
 1. Primecoat: A water-based primer.
 2. Sanded Primecoat: Sanded water-based primer.

3.0 Installation

- A. Inspect the substrate and water barrier to ensure that it is free of all foreign materials that would affect the application of the Master Wall System.
- B. Apply the system in strict accordance with ASTM and Master Wall specifications, product data sheets, architectural drawings and architectural specifications.

Cemplaster Stucco System Options						
	Limited Warranty	Superior Elastomeric Plus Finish	Superior Finish	Primecoat	Stucco Ad-Liquid	Base Coat & Mesh
Level I	5-year		•	Optional		
Level II	7-year		•	•	Ready: 1qt (0.95 L), Concentrate: 3 qt (2.8 L)	
Level III	10-year		•	•	Ready: 1-1/2 gal (5.7 L), Concentrate: 5 gal (19 L)	•
Level III	10-year	•		•	Ready: 1-1/2 gal (5.7 L), Concentrate: 5 gal (19 L)	

SUPERIOR *finishes*

Integrally Colored Textured Acrylic Finishes



Perfect Texture



Spray Texture



Desert Sand Texture



R-Coarse Texture



Refinish Texture



M Master Wall Inc.
Building a Culture of Excellence



Superior Finish is Master Wall's textured finish line. Available in standard or custom colors, Superior Finishes may be applied over Master Wall Base Coats or prepared substrates including brick, masonry, concrete and stucco. Superior Finishes work great for interior applications as well. Superior Finish is available in five-gallon (19L) pails and is typically troweled onto the wall surface with a stainless steel trowel.

Estimated Coverage

Perfect: 120-150 sf/pail (11-14 sm)
Spray SS: 215-225 sf/pail (20-21 sm)
Desert Sand SS: 130-150 sf/pail (12-14 sm)
R-Coarse: 90-120 sf/pail (8.4-11 sm)
Perfect West: 140-160 sf/pail (13-15 sm)
Refinish: Varies with Texture

Coverage will vary by application, applicator skill and substrate conditions. Master Wall assumes no responsibility nor liability for coverage.

Finish Properties

Meets or Exceeds:
ASTM E84 Surface Burning
ASTM E108 Flame Spread
ASTM C67 Freeze/Thaw
ASTM E2485/2570 Freeze/Thaw
ASTMD2247/E2570 Humidity
ASTM D3273 Mold/Mildew
ASTM D968 Abrasion
ASTM B117 Salt Spray
ASTM G53 Weathering
ASTM G23/G154/G155 Weathering

Approved Substrates

Master Wall Base Coats
Stucco
Prepared & Base Coated Surfaces of:
Brick
Concrete
Masonry
Others approved in writing

Statistics

Pail Weight: 70 lbs (32 kg), Refinish 65 lbs (29.5 kg)

Working Time: 1/4 hour @ room temperature

Drying Time: 8-12 hours to set, 48-72 hours to dry @ room temperature. High pigment levels, low temperatures, high humidity extend dry times.

Application Range: 40°-110°F (5°-43°C)

Shelf Life: 2 years

Application Procedure

Job Conditions - Air and substrate temperature for application of Superior Finishes must be 40°F (5°C) or higher and must remain 40°F (5°C) or higher for a minimum of 24 hours. Provide temporary protection to protect the wall system from damage until permanent flashings, caps and sealants are installed. Store materials within prescribed temperature limits and out of direct sunlight. High temperatures will reduce working times, Low temperatures and/or high humidity will extend working, set and dry times.

Preparation - The substrate must be approved by Master Wall Inc., clean, dry, structurally sound and free of efflorescence, oil, grease, form release agents and curing compounds or anything that would affect bond. Painted surfaces are not acceptable and must be removed. Concrete and surfaces should cure for a minimum of 28 days. Stucco should be cured until clean, dry and hard—typically 14 days.

Interior drywall should be finished and made ready for paint. Prime surfaces with Primecoat/Sanded Primecoat primer prior to finishing.

Base Coats - Must be flat, dry hard, and free of efflorescence. Master Wall base coats must cure a minimum of 12 hours before application of Superior Finish. Substrates of brick, masonry or concrete should be leveled smooth using either Master Wall base coats or stucco.

Mixing - Thoroughly stir Superior Finish using a heavy duty 1/2" drill at 400 - 500 rpm and a heavy duty mixing paddle. Small amounts of clean, potable water may be added to obtain a workable consistency. To avoid color variations, add the same amount of water to each pail. Do not exceed 24 ounces (0.7L) of water per pail of finish.

Application — Apply a uniform thickness (about 1/16") of Superior Finish to the substrate using a stainless steel trowel. Spread evenly and then scrape the finish coat down to a thickness no greater than the largest aggregate in the material. Immediately float the finish coat using a plastic float to the desired texture. Always maintain a wet edge to achieve uniformity of texture and color.

For Professional Results

- Apply finish coats away from direct sunlight. Cold joints or color variations can occur if the finish dries too quickly.

- Consider priming stucco surfaces with Primecoat/Sanded Primecoat to even out finish absorption.
- Surfaces exposed to the weather must be sloped (6:12 minimum).
- Under certain conditions dark colors may show efflorescence on the surface during the cure process.
- Finishes are intended for the approved substrates listed above and should not be applied directly to gypsum board or insulation board products.

Clean Up—Tools and equipment can be cleaned with soapy water while the Superior Finish is still wet.

Available Options



Elastomeric Additive



Silicone Additive



Excel Mildew Additive



Master Wall Inc.
Building a Culture of Excellence

P. O. Box 397
Fortson, GA 31808

800-755-0825

Technical 800-760-2861

masterwall.com

050111

Information contained in this product data sheet conforms to the standard detail recommendations and specifications for the installation of Master Wall Inc. products and is presented in good faith. Master Wall Inc. assumes no liability, expressed or implied as to the architecture, engineering, or workmanship of any project. This information may be concurrent with, or superseded by other applicable documents, such as specifications and details. Contact Master Wall Inc. for the most current product information.



Primecoat



Primecoat is a 100% pure acrylic tinted

Stucco & Base Coat Primer

Integrally Colored

primer with very good hiding power. It is designed for compatibility with Master Wall Superior Finishes, base coats, traditional stucco, One Coat Stucco and cement products.

Primecoat is available in all Master Wall colors and custom colors delivered in five-gallon (19L) pails.

Approved Substrates

- Master Wall Base Coats
- Concrete
- Brick
- Masonry
- Stucco
- One Coat Stucco
- Cement Composition Siding
- Others approved in writing

Application Procedure

Job Conditions - Air and substrate temperature for application of Primecoat must be 40°F (5°C) or higher and must remain 40°F (5°C) or higher for a minimum of 24 hours. Provide temporary protection to protect the wall system from damage until permanent flashings, caps and sealants are installed. Store materials within prescribed temperature limits and out of direct sunlight. Working and drying times are based upon normal room temperature conditions and will vary with temperature and humidity.

Preparation - The substrate must be approved by Master Wall Inc., clean, dry, structurally sound and free of efflorescence, oil, grease, form release agents and curing compounds or anything that would affect bond. Painted surfaces are not acceptable and must be removed.

Concrete – Must have cured a minimum of 28 days prior to the application of Primecoat. If form release agents or curing compounds exist on the surface, they must be removed with a solution of muriatic acid or similar product (with appropriate precautions). Remove any residual acid by flushing with water. All projections must be removed and any voids filled with F&M, F&M Plus, or MBB.

Masonry – Skim coat with F&M, F&M Plus, or MBB to achieve a smooth level surface. If joints are not struck flush, multiple coats may be required. Contact Master Wall for more information.

Stucco – Must have cured for a minimum of 7-14 days and be clean, dry and hard prior to the application of Primecoat. If additives were used in the stucco, it is recommended that a test patch be made to evaluate bond strength of the Primecoat to the stucco.

Master Wall Base Coats or Finishes/Previously Painted Surfaces/Cement Composition Siding—Install and prepare according to published guidelines. Surfaces should be clean, dry, cured and ready to receive coatings.

Mixing - Thoroughly stir Primecoat into a homogenous consistency. Small amounts of clean, potable water may be added to obtain a workable consistency. Do not over mix. Do not exceed 24 ounces (0.7L) of water per pail. Do not add accelerators or retarders to Primecoat.

Application – Primecoat can be applied by brush, roller, or airless spray equipment. When using a roller, a maximum ¾" (19 mm) nap is recommended. Apply Primecoat in an even, continuous coat of about 3 mils, maintaining a wet edge.

Clean Up

Tools and equipment can be cleaned with soapy water when Primecoat is wet.

Limitations

Primecoat is not intended for use as the final finish coat over Master Wall base coats or other approved substrates.

Statistics

Coverage (Estimated/Varies)

1-Coat: 1000-1200 sf (93-112 sm)

Pail Weight: 53 lbs (24kg)

Dry to Touch: 1 hour @ room temperature

Recoat Time: 2 hours @ room temperature

Drying Time: 12 hours @ room temperature

Application Range: 40°-110°F (5°-43°C)

Shelf Life: 2 years



Information contained in this product data sheet conforms to the standard detail recommendations and specifications for the installation of Master Wall Inc. products and is presented in good faith. Master Wall Inc. assumes no liability, expressed or implied as to the architecture, engineering, or workmanship of any project. This information may be concurrent with, or superseded by other applicable documents, such as specifications and details. Contact Master Wall Inc. for the most current product information.

P. O. Box 397
Fortson, GA 31808
800-755-0825
Technical 800-760-2861
www.masterwall.com



Cemplaster Stucco

Bag Mix Concentrate

Add Sand and Water

Master Wall Cemplaster Stucco is a fibered type Portland cement-based bagged stucco meeting ASTM C926 and related building code standards. It offers exceptional workability, open working time, water retention, early strength, shrinkage resistance and long-term durability.

Application Procedure

Job Conditions - Air and substrate temperature for application of *Cemplaster Stucco* must be 40°F (5°C) or higher and must remain 40°F (5°C) or higher for a minimum of 24 hours. Provide temporary protection to protect the wall system from damage until permanent flashings, caps and sealants are installed. Store materials in a dry place, within prescribed temperature limits and out of direct sunlight. Working and drying times are based upon normal room temperature conditions and will vary with temperature and humidity.

Preparation - The substrate must be approved by Master Wall Inc., clean, dry, structurally sound and free of efflorescence, oil, grease, form release agents and curing compounds or anything that would affect bond. Painted surfaces are not acceptable and must be removed or metal lath applied. All sheathed applications must receive a minimum of 2-layers code-approved asphalt felt or equivalent.

Prepare smooth or non-absorbent solid substrates by one of the following methods or a combination; Sandblasting, chipping or acid etching, a dash-bond coat applied forcefully, bonding compounds such as Master Wall *Stucco Ad Liquid* or *BA57*, Furred or self-furring metal plaster bases as per ASTM C1063.

Mixing - Each bag of *Cemplaster Stucco* is mixed with 200 lbs (90.7 kg) of sand aggregate (ASTM C-897 or ASTM C-144) and clean, potable water, 200 lbs is roughly 2.5 cubic feet (0.07 cubic meters) of clean, damp-loose sand or 2-3/4 Master Wall pails, filled. Using a clean mixer, first add 1/2 to 2/3 the water required, 1/2 the sand, 1 bag Cemplaster Stucco, then the rest of the sand and water to achieve the desired workability. Mix materials for 3 to 5 minutes after all materials are in the mixer. Total water content can vary between 4 to 6.5 gallons (15-24.5L). *Stucco Ad-Liquid* may also be used instead of an equal amount of water. See system data sheet for specific levels required for increased warranties.

Tempering—The mixed stucco can be re-tempered one time within 1 hour. Material older than 1-1/2 hours should be discarded.

Application

Apply *Cemplaster Stucco* by hand or machine to a nominal thickness of 3/8" (9.5 mm) for direct applications, 3/4" (19 mm) over metal plaster bases (for a nominal thickness of 7/8" (22.2 mm) with Superior Finishes). Apply according to ASTM C926 and C1063 requirements. When base (scratch) application has firmed enough to support a second coat, finish to desired base coat thickness. Where plaster abuts dissimilar materials, provide for separation. To avoid cold joints the application should stop at corner angles, rustications, openings and control joints.

Curing—Moist cure using fogging, plastic films or other method acceptable to the design professional for 48-72 hours. Mixes with *Stucco Ad-Liquid* do not need moist curing. Allow to fully cure until clean, dry and hard before finishing—typically 7-14 days. See Master Wall Technical Bulletins and data sheets for additional curing, drying and application recommendations.

Statistics

Coverage (Estimated/Varies)

3/8" (9.5 mm) Thick: 80 sf (7.4 sm)

1/2" (12.7 mm) Thick: 70 sf (6.5 sm)

3/4" (19 mm) Thick: 40 sf (3.7 sm)

Bag Weight: 80 lbs (36 kg)

Working Time: 1-1/2 hours @ room temperature

Drying Time: 24 hours @ room temperature

Application Range: 40°-110°F (5°-43°C)

Shelf Life: 1 year

Clean Up—Tools and equipment can be cleaned with soapy water while the *Cemplaster* mixture is still wet.



Information contained in this product data sheet conforms to the standard detail recommendations and specifications for the installation of Master Wall Inc. products and is presented in good faith. Master Wall Inc. assumes no liability, expressed or implied as to the architecture, engineering, or workmanship of any project. This information may be concurrent with, or superseded by other applicable documents, such as specifications and details. Contact Master Wall Inc. for the most current product information.

P. O. Box 397
Fortson, GA 31808

800-755-0825

Technical 800-760-2861

www.masterwall.com



Ready Cemplaster Stucco



Master Wall Ready Cemplaster Stucco is a fibered type Portland cement-based

Ready Mix Stucco

Add Water

bagged stucco meeting ASTM C926 and related building code standards. It offers exceptional workability, open working time, water retention, early strength, shrinkage resistance and long-term durability. Use Ready Cemplaster Stucco as an alternative to the concentrate version in the Cemplaster Stucco System.

Application Procedure

Job Conditions - Air and substrate temperature for application of Ready Cemplaster Stucco must be 40°F (5°C) or higher and must remain 40°F (5°C) or higher for a minimum of 24 hours. Provide temporary protection to protect the wall system from damage until permanent flashings, caps and sealants are installed. Store materials in a dry place, within prescribed temperature limits and out of direct sunlight. Working and drying times are based upon normal room temperature conditions and will vary with temperature and humidity.

Preparation - The substrate must be approved by Master Wall Inc., clean, dry, structurally sound and free of efflorescence, oil, grease, form release agents and curing compounds or anything that would affect bond. Painted surfaces are not acceptable and must be removed or metal lath applied. All sheathed applications must receive a minimum of 2-layers code-approved asphalt felt or equivalent.

Prepare smooth or non-absorbent solid substrates by one of the following methods or a combination; Sandblasting, chipping or acid etching, A dash-bond coat applied forcefully, bonding compounds such as Master Wall Stucco Ad Liquid or BA57, Furred or self-furring metal plaster bases as per ASTM C1063.

Mixing - Each bag of Ready Cemplaster Stucco is mixed with clean, potable water. Using a clean mixer, first add 1/2 to 2/3 the water required, 1-bag Ready Cemplaster Stucco, then the rest of the water to achieve the desired workability. Mix materials for 3 to 5 minutes after all materials are in the mixer. Total water content can vary between 1 to 1.5 gallons (3.8-5.7L). Stucco Ad-Liquid may also be used instead of an equal amount of water. See system data sheet for specific levels required for increased warranties.

Tempering—The mixed stucco can be re-tempered one time within 1 hour. Material older than 1-1/2 hours should be discarded.

Application

Apply Ready Cemplaster Stucco by hand or machine to a nominal thickness of 3/8" (9.5 mm) for direct applications, 3/4" (19 mm) over metal plaster bases (for a nominal thickness of 7/8" (22.2 mm) with Superior Finishes). Apply according to ASTM C926 and C1063 requirements. When base (scratch) application has firmed enough to support a second coat, finish to desired base coat thickness. Where plaster abuts dissimilar materials, provide for separation. To avoid cold joints the application should stop at corner angles, rustications, openings and control joints.

Curing—Moist cure using fogging, plastic films or other method acceptable to the design professional for 48-72 hours. Mixes with Stucco Ad-Liquid do not need moist curing. Allow to fully cure until clean, dry and hard before finishing—typically 7-14 days. See Master Wall Technical Bulletins and data sheets for additional curing, drying and application recommendations.

Statistics

Coverage (Estimated/varies)

3/8" (9.5 mm) thick: 22 sf (2 sm)

1/2" (12.7 mm) thick : 20 sf (1.8 sm)

3/4" (19 mm) thick: 11 sf (1 sm)

Bag Weight: 80 lbs (36 kg)

Working Time: 1.5 hours @ room temperature

Drying Time: 24 hours @ room temperature

Application Range: 40°-110°F (5°-43°C)

Shelf Life: 1 year

Clean Up—Tools and equipment can be cleaned with soapy water while the Ready Cemplaster mixture is still wet.



Information contained in this product data sheet conforms to the standard detail recommendations and specifications for the installation of Master Wall Inc. products and is presented in good faith. Master Wall Inc. assumes no liability, expressed or implied as to the architecture, engineering, or workmanship of any project. This information may be concurrent with, or superseded by other applicable documents, such as specifications and details. Contact Master Wall Inc. for the most current product information.

P. O. Box 397
Fortson, GA 31808

800-755-0825

Technical 800-760-2861

www.masterwall.com



Stucco Ad-Liquid



Stucco Ad-Liquid is an easy to use polymer modifier that is added directly to the stucco or

Stucco Additive

100% Acrylic

One Coat Stucco (OCS) mix to improve the overall quality of the material. Stucco Ad-Liquid improves stucco freeze/thaw stability, adhesion, cohesion, tensile strength, compressive strength and flexural strength. Helps to reduce shrinkage and drying cracks and, in most cases, fogging walls can be eliminated. Stucco Ad-Liquid is available in five-gallon (19L) pails and 55 gallon (208L) drums weighing 462 lbs (210 kg).

Approved For
Portland Cement Plaster
(Stucco)
One Coat Stucco (OCS)
Others approved in writing

Application Procedure

Job Conditions - Air and substrate temperature for application of *Stucco Ad-Liquid* must be 40°F (5°C) or higher and must remain 40°F (5°C) or higher for a minimum of 24 hours.

Temporary Protection – Provide temporary and permanent protection to prevent water entry behind the stucco.

Surface Preparation - Surface temperature must be above 40°F (5°C). Surface must be clean, dry, structurally sound and free of efflorescence, oil, grease, form release agents, paint and curing compounds.

Proportioning – Proportions will vary depending upon use. Reference Master Wall One Coat Stucco or Cemplaster Stucco specifications for warranted system proportions. In general, the product will achieve minimal properties such as improved crack resistance with levels as low as one quart (0.95L) per 280# (127 kg) of mixed stucco. Substituting *Stucco Ad-Liquid* for water in the stucco mix provides optimal performance. Vary proportions to meet specific project requirements or contact Master Wall for recommendations.

Mixing – Use non air entrained stucco mix. Slowly add *Stucco Ad-Liquid* to the mixture and mix for a short time (about 1 to 2 minutes) to avoid air entrapment.

Application

Apply stucco mix according to locally, regionally and nationally accepted practices to the specified thicknesses. When drying, *Stucco Ad-Liquid* forms a film or sheen that aids in the hydration of the stucco. Where approved locally, fogging the wall to aid in stucco curing may be eliminated.

For Professional Results

- Do not use with air entrained cement mixes or with air entraining admixtures.
- Do not use where air circulation is limited.
- Protect from extreme water exposure for a minimum of 24 hours.
- Fogging the wall is not recommended when *Stucco Ad-Liquid* is used.
- Do not use as a stucco surface primer or external bonding agent—use *Primecoat* or *Roller-flex* depending upon application.
- Do not over mix.

Clean Up

Tools and equipment can be cleaned with soapy water when the stucco mixture is wet.

Statistics

Suggested Levels (Varies)

One Coat Stucco (OCS): 3 quarts to 5 gallons (2.8-19 L) per mix

Stucco: 6 quarts to 5 gallons (5.6-19 L) per mix

Pail Weight: 42 lbs (19 kg)

Drum Weight: 462 lbs (210 kg)

Application Range: 40°-110°F (5°-43°C)

Shelf Life: 2 years



Information contained in this product data sheet conforms to the standard detail recommendations and specifications for the installation of Master Wall Inc. products and is presented in good faith. Master Wall Inc. assumes no liability, expressed or implied as to the architecture, engineering, or workmanship of any project. This information may be concurrent with, or superseded by other applicable documents, such as specifications and details. Contact Master Wall Inc. for the most current product information.

P. O. Box 397
Fortson, GA 31808

800-755-0825

Technical 800-760-2861

www.masterwall.com



Section 09 24 00

Corporate • P.O. Box 397 • Fortson • Georgia • 31808 • 800-755-0825 • FAX 706-569-6704

Technical • 800-760-2861 • FAX 734-433-0930

Stucco is a time-proven wall cladding. However, there are many different variations, application techniques, curing and coloring conditions that the design professional must consider when specifying these systems.

This guideline specification is intended for use by the design/construction professional and any user of Master Wall products to assist in developing project specifications and to provide guidance on the application of the Master Wall Cemplaster Stucco to sound supporting construction.

System Description	Warranty Term	Comments
Acrylic Modified Stucco	7 year labor/material type	Improved Acrylic Cemplaster Stucco with Primer and Acrylic Finish

PART 1 GENERAL

1.01 SECTION INCLUDES

- A. Materials and installation of one coat stucco system.

1.02 RELATED SECTIONS

- A. Provide all materials, labor, and equipment to install the Field Applied and/or Panelized Master Wall Inc. Cemplaster Stucco.

B. Related Sections:

- 1. Concrete 03300
- 2. Unit Masonry 04200
- 3. Light Gauge Steel Framing 05400
- 4. Sheathing 06100
- 5. Sheet Metal Flashing and Trim 07620
- 6. Sealants 07900
- 7. Doors and Windows 08000

1.03 REFERENCED DOCUMENTS

A. ASTM Standards:

- 1. C 847 Standard Specification for Metal Lath
- 2. C 897 Aggregates for Job Mixed Portland Cement-Based Plaster
- 3. C 926 Standard Specification for Application of Portland cement-Based Plaster
- 4. C 1032 Standard Specification for Woven Wire Plaster Base
- 5. C 1063 Installation of Lathing and furring for Portland Cement-Based Plaster

1.04 TERMS/DEFINITIONS

- A. Accessories – The closure trims, control joints metal reinforcement and mechanical fasteners used in the installation of stucco.
- B. Applicator – The contractor that applies the Cemplaster Stucco.
- C. Building Expansion Joint – A joint through the entire building structure designed to accommodate structural movement.
- D. Control Joint – a joint in the Cemplaster Stucco designed to reduce and control thermal and shrinkage cracking.
- E. Designer – The person or firm that is responsible to create the plans and specifications for the entire project.
- F. Finish Coat – An acrylic based, factory mixed decorative and protective coating that is applied to the base coat.



- G. Mechanical Fastener – Corrosion-resistant fastener intended for use with stucco.
- H. Metal Reinforcement – Various forms of metal used to reinforce and support the stucco.
- I. Cemplaster Stucco – Cemplaster Stucco, a cementitious material consisting of Portland cement, fibers and proprietary components.
- J. Sheathing – A substrate in a sheet form.
- K. Substrate – The material to which the Cemplaster Stucco is attached.
- L. Trims – Specially manufactured products designed to terminate the Cemplaster Stucco.

1.05 DESIGN REQUIREMENTS

A. Structural

1. Design for maximum allowable system deflection, normal to the plane of the wall, of L/360.
2. Design for wind load in conformance with code requirements. Also consult applicable code compliance report.

B. Moisture Control

1. Prevent the accumulation of water into or behind the Cemplaster Stucco, either by condensation or leakage into the wall construction, in the design and detailing of the wall assembly.
 - a. Provide corrosion resistant flashing to direct water to the exterior where it is likely to penetrate components in the wall assembly, including, above window and door heads, beneath window and door sills, at roof/wall intersections, decks, abutments of lower walls with higher walls, above projecting features, and at the base of the wall.
 - b. Wall System Design – design wall to eliminate vapor condensation within the wall assembly.
 - c. Weather Resistant Barrier – Provide a barrier over framed construction consisting of a minimum of two-layers asphalt felt meeting ASTM D-226, Type 1, Grade D or building code-approved alternate. Verify requirements with local building code authority.
 - d. Protect sills of rough openings with water resistant barrier or “peel and stick” type membranes recognized by local codes. Where casing bead is used back-to-back at expansion joints back joints with barrier membrane. Refer to Master Wall details.

C. Grade Condition

1. Keep Cemplaster Stucco a minimum of 6” (152 mm) above grade in framed construction.

D. Expansion Joints

1. Provide expansion joints where directed by the design professional. Common locations include the following:
 - A. Where building movement is anticipated.
 - B. At dissimilar substrates.
 - C. At floor lines in certain wood framed constructions.
 - D. Where the stucco meets dissimilar materials.
2. Expansion joint design depends upon the anticipated movement. Master Wall suggests the following minimum sizes, subject to design acceptance: Windows/Doors – 3/8” (9.5 mm), Building Expansion/Dissimilar Substrates & Materials – 1/2” (13 mm), Floor Line (shrinkage) – 3/4” (19 mm).



- E. Control Joints
 - 1. Provide control joints where directed by the design professional. Common locations include the following:
 - A. To limit cracking in the system at a maximum area of 144 ft² (13.4 m²).
 - B. Length to width ratio should not be more than 2.5:1.
 - C. Off the corners of window/door heads or jamb.
 - D. At dissimilar substrates.
 - 2. Increase joint requirements where thicker stucco or special structural conditions exist.
 - 3. Typically control joints are tied to the metal lath, which is cut to make two discontinuous slabs.
 - 4. When Cemplaster Stucco is bonded to a solid substrate such as concrete or masonry the control joint requirements may be revised. Control joints may be aligned with any control joints in the plaster base.
- F. Provide appropriate sealant at stucco terminations using a sealant designed for cement/stucco use (sealant trades, Section 07920).
- G. Indicate location of joints, accessories and accessory type on architectural drawings.
- H. Fire Protection
 - 1. Refer to manufacturer's applicable code compliance report for other limitations and fire-resistive assemblies that may apply.
- I. Solid Substrates
 - 1. Provide surface plane tolerance not to exceed ¼ inch in 10 feet (6.4 mm in 3.05 m).
 - 2. Concrete—prevent the use of form oil, curing compounds or other bond breakers that inhibit bond to the surface or provide for their removal.
 - 3. Concrete Masonry—provide open texture concrete masonry units with flush joints.
 - 4. Brick – soft to medium fired, porous to provide acceptable bond for stucco.

1.06 SUBMITTALS

- A. The Applicator shall submit a list of completed projects of like size and complexity.
- B. The Applicator shall submit a certificate of training indicating that they have been given instructions on the proper installation of the Cemplaster Stucco.
- C. The Applicator shall submit Manufacturer's current literature, brochures, specifications, and details.
- D. The Applicator shall submit sufficient samples of each finish texture and color selected. The samples shall be prepared with the same tools and techniques required for the actual project. Color and texture should be approved based on the job site mock-up samples.
- E. The Applicator shall provide any shop drawings that may be applicable to the project for approval by the project architect.

1.07 DELIVERY, STORAGE AND HANDLING

- A. Deliver all materials in original unopened packages with labels intact. Verify all quantities, colors, and textures against bill of lading.
- B. Store all materials protected from direct exposure to weather conditions and at temperatures not less than 40° F (5° C) or greater than 110° F (43° C).
- C. Material safety data sheets (MSDS) shall be supplied for the components of the Cemplaster Stucco and be available at the job site.



1.08 JOB CONDITIONS

- A. Ambient air temperatures shall be 40° F (5° C) or greater and rising at the time of installation of the Master Wall Inc. products and shall remain at 40° F (5° C) or greater for at least 24 hours after application.
- B. Provide supplemental heat and protection as required when the temperature and conditions are not in accordance with installation requirements. Sufficient ventilation and time shall be provided to ensure that materials have sufficiently dried prior to removing supplemental heat.
- C. Adequate protection shall be provided to prevent weather conditions (humidity, temperature, and precipitation) from having an affect on the curing or drying time of **Master Wall Inc.** materials.
- D. Adjacent materials and the Cemplaster Stucco shall be protected during installation and while curing from weather and shall be protected from site damage.
- E. Coordinate installation of the Cemplaster Stucco with related work specified in other sections to ensure that the wall assembly is protected to prevent water from getting behind the system. The cap flashing shall be installed as soon as possible after the finish coat has been applied. When this is not possible, temporary protection shall be provided immediately in this area.
- F. All sealants shall be installed in a timely manner. Protect open joints from water intrusion during construction with backer rod, or temporary covering, until permanently sealed.
- G. Sufficient manpower and equipment shall be employed to ensure a continuous operation, free of cold joints, scaffolding lines, and texture variations, etc.
- H. Solid substrates shall be allowed to cure long enough to support the stucco work. Minimum 28 days for concrete and masonry units.

1.09 REPAIR AND MAINTENANCE

- A. Refer to Master Wall Inc. specific repair and maintenance procedures.

1.10 LIMITED MATERIALS WARRANTY

- A. A Limited Materials Warranty shall be issued upon the receipt of a properly completed warranty request form.



PART 2 PRODUCTS

2.01 MANUFACTURERS

- A. **Master Wall Inc.**
- B. Provide one coat stucco system from single source manufacturer.

2.02 BONDING AGENT

- A. **BA57**-water based acrylic resin bonding agent for brush or roller application to prepared masonry surfaces.

2.03 MOISTURE BARRIER *(supplied by others)*

- A. Minimum 14-lb/100 ft² (0.683 kg/m²) vapor permeable asphalt saturated felt in compliance with ASTM D 226.
- B. Other weather barrier meeting the local building code criteria.

2.04 LATH *(supplied by others)*

- A. Minimum 2.5 lb./yd² (1.4 kg/m²) or 3.4 lb./yd² (1.8 kg/m²) self-furred galvanized steel diamond mesh metal lath in compliance with ASTM C 847.

2.05 MECHANICAL FASTENERS *(by others)*

- A. Appropriate non-corroding fasteners, depending on the type framing or substrate:
 - 1. Wood Framing—minimum 11 gauge, 7/16 inch (11 mm) diameter head galvanized roofing nails with minimum ¾ inch (19mm) penetration into studs or minimum #8 Type S wafer head fully threaded corrosion resistant screws with minimum ¾ inch (19 mm) penetration into studs.
 - 2. Steel Framing—minimum #8 Type S or S-12 wafer head fully threaded corrosion resistant screws with minimum 3/8-inch (9.5 mm) penetration into studs.
 - 3. Concrete or Masonry—minimum # 8 wafer head fully threaded corrosion resistant screws for masonry with minimum 1 inch (25 mm) penetration into substrate.
- B. Tie Wire—18 gauge galvanized and annealed low-carbon steel in compliance with ASTM A 641 with Class I coating.

2.06 ACCESSORIES *(by others)*

- A. Weep screed, casing bead, corner bead, cornerite, corner lath, expansion and control joint accessories. All accessories shall meet the requirements of ASTM C 1063 and its referenced documents:
 - 1. PVC plastic in compliance with ASTM D 1784, cell classification 13244C.
 - 2. Zinc in compliance with ASTM B 69.
 - 3. Galvanized metal in compliance with ASTM A 653 with G60 coating.
- B. All accessories shall have perforated or expanded flanges and shall be designed with grounds for the specified thickness of stucco.



2.07 JOB MIXED INGREDIENTS

- A. Water: Clear, clean and potable without any foreign matter in the solution that may affect the color and setting qualities of the cement, adhesive, base or finish coat.
- B. Sand: Clean, well graded sand free of deleterious materials in compliance with ASTM C 897.
- C. Cement: Type I or I-II Portland cement meeting ASTM C-150.
- D. Stucco Admixture
 - 1. **Stucco Ad Liquid**—water based acrylic resin admixture for Master Wall Cemplaster Stucco.

2.08 STUCCO (*select one*)

- A. **Master Wall Cemplaster Stucco**—factory proportioned, fiber reinforced Portland cement based stucco for trowel or pump application, field mixed with graded sand (ASTM C 897) and water.
- B. **Master Wall Ready Cemplaster Stucco**— factory proportioned, fiber reinforced Portland cement based stucco for trowel or pump application, field mixed with water.

2.09 PRIMER

- A. **Master Wall Primecoat**: acrylic-based tinted primer.

2.10 FINISH COAT

- A. **Superior Finish**: Master Wall Inc.'s Superior Finishes are acrylic-based wall coatings available in a variety of colors and textures. The following textures are available:
 - 1. Perfect - riled texture
 - 2. Spray – sand type texture
 - 3. R-Coarse – coarse riled texture
 - 4. Desert Sand – coarse sand texture
 - 5. Refinish – Fine texture used to create numerous finishes
 - 6. Superior Stone and Aggrestone Finish – clear acrylic matrix filled with colored ceramic beads
- A. **Superior Elastomeric or Elastomeric Plus Finish (optional)**: Master Wall Inc.'s Superior Finishes using elastomeric polymers to bridge minor cracking. The following textures are available:
 - 1. Perfect - riled texture
 - 2. Spray – sand type texture
 - 3. R-Coarse – coarse riled texture
 - 4. Desert Sand – coarse sand texture
 - 5. Refinish – Fine texture used to create numerous finishes

(Note: The above textures excluding Superior Stone and Aggrestone Finishes are also available in the Aggre-flex Superior Silicone Coat product line. Aggre-flex Superior Silicone Coat combines acrylic and the siloxane polymers to provide the maximum resistance to moisture.)



2.11 MIXING

- A. **BA57 & Stucco Ad Liquid:** Shake sealed container or mix before use to a homogeneous consistency.
- B. **Acrylic Modified Master Wall Cemplaster Stucco:** Mix 200 lbs. (90 kg) of sand to an 80 lb (36 kg) bag of Master Wall Cemplaster Stucco. Add pre-blended dry mix to 3 quarts (2.8 L) *Stucco Ad Liquid* and 4-6 gallons (15-23 L) of clean potable water. Mix with paddle type mortar mixer to a uniform consistency. Avoid retempering. Keep mix ratio consistent and mix each batch separately. Do not exceed maximum amount of water in mix ratio.
- C. **Acrylic Modified Master Wall Ready Cemplaster Stucco:** Each bag of Ready Cemplaster Stucco is mixed with 1 quart (.95 L) of *Stucco Ad Liquid* and clean, potable water. Using a clean mixer, first add 1/2 to 2/3 the water/*Stucco Ad Liquid* mix required, 1 bag Ready Cemplaster Stucco, then the rest of the water to achieve the desired workability. Mix materials for 3 to 5 minutes after all materials are in the mixer. Total water/*Stucco Ad Liquid* content can vary between 1 to 1.5 gallons (3.8-5.7 L).
- D. **Superior Finishes:** Mix the finish coat with a Wind-lock B-MTW using a 1/2", 400-500 RPM drill motor. Small amounts of water can be added for workability. Mix until reaching a uniform consistency. (It is important that the same amount of water be added to each pail to ensure a consistent color.)
- E. Additives shall not be added to Master Wall Inc.'s materials unless written approval has been received from Master Wall Inc.
- F. Mix only as much material as can readily be used.
- G. Do not use anti-freeze compounds or other additives.

PART 3 EXECUTION

3.01 EXAMINATION

- A. Prior to installation of the Cemplaster Stucco, the contractor shall verify that the substrate and water barrier:
 1. Is of a type listed in this specification.
 2. Is installed to shed water in accordance with this specification.
 3. Is flat within 6.4 mm (1/4 in) in a 3 m (10 ft) radius.
 4. Is sound, dry, connections are tight, has no surface voids, projections or other conditions that may interfere with the Cemplaster Stucco installation or performance.
- B. Prior to the installation of the Cemplaster Stucco, the architect or general contractor shall insure that all needed flashings and other waterproofing details have been completed, if such completion is required prior to the coatings application. Additionally, the Contractor shall ensure that:
 1. Metal roof flashing has been installed in accordance with Asphalt Roofing Manufacturers Association (ARMA) Standards.
 2. Openings are flashed in accordance with the Cemplaster Stucco Installation Details or as otherwise necessary to prevent water penetration.
 3. Chimneys, Balconies, and Decks have been properly flashed.
 4. Windows, Doors, etc. are installed and flashed per manufacturer's requirements and the Cemplaster Stucco Installation Details.
- C. Prior to the installation of the Cemplaster Stucco, the contractor shall notify the general contractor, and/or architect, and/or owner of all discrepancies.



3.02 PREPARATION

- A. The Cemplaster Stucco materials shall be protected by permanent or temporary means from inclement weather and other sources of damage prior to, during, and following application until completely dry.
- B. Protect adjoining work and property during Cemplaster Stucco installation.
- C. The substrate shall be prepared as to be free of foreign materials, such as, oil, dust, dirt, form release agents, efflorescence, paint, wax, water repellents, moisture, frost and any other condition that inhibit adhesion.

3.03 INSTALLATION

- A. The system shall be installed in accordance with the current Master Wall Inc. Cemplaster Stucco Application Instructions.
- B. The overall minimum stucco scratch and brown coat thickness shall be sufficient to fully embed the reinforcing mesh.
- C. Sealant shall not be applied directly to textured finishes.

3.04 FIELD QUALITY CONTROL

- A. The contractor shall be responsible for the proper application of the Cemplaster Stucco materials.
- B. Master Wall Inc. assumes no responsibility for on-site inspections or application of its products.
- C. If required, the contractor shall certify in writing the quality of work performed relative to the substrate system, details, installation procedures, workmanship and as to the specific products used.
- D. If required, the sealant contractor shall certify in writing that the sealant application is in accordance with the sealant manufacturer's and Master Wall Inc.'s recommendations.

3.05 CLEANING

- A. All excess Cemplaster Stucco materials shall be removed from the job site by the contractor in accordance with contract provisions and as required by applicable law.
- B. All surrounding areas, where the Cemplaster Stucco has been installed, shall be left free of debris and foreign substances resulting from the contractor's work.

3.06 PROTECTION

- A. The Cemplaster Stucco shall be protected from inclement weather and other sources of damage until dry and permanent protection in the form of flashings, sealants, etc. are installed.

End of Specification

Disclaimer

This Specification is published for general informational purposes only and is not intended to imply that these are the only materials, procedures, or methods, which are available or suitable. Materials, procedures, or methods may vary according to the particular circumstances, local building code requirements, design conditions, or statutory and regulatory requirements. While the information in this specification is believed to be accurate and reliable, it is presented without guarantee or responsibility on the part of Master Wall Inc.

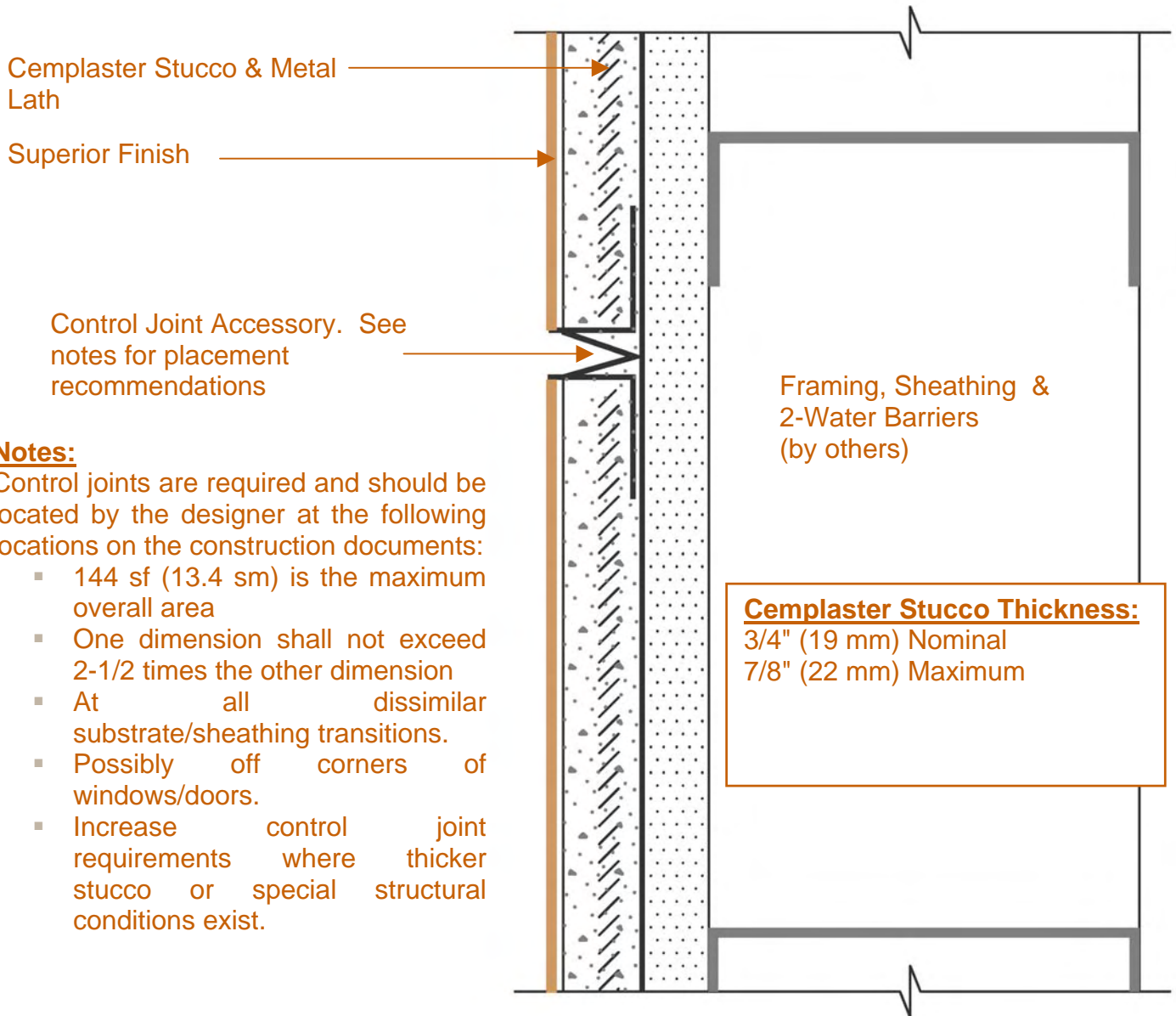


Cemplaster Stucco

Conceptual Details

Corporate • P.O. Box 397 • Fortson • Georgia • 31808 • 800-755-0825 • FAX 706-569-6704

Technical • 800-760-2861 • FAX 734-433-0930



Notes:

Control joints are required and should be located by the designer at the following locations on the construction documents:

- 144 sf (13.4 sm) is the maximum overall area
- One dimension shall not exceed 2-1/2 times the other dimension
- At all dissimilar substrate/sheathing transitions.
- Possibly off corners of windows/doors.
- Increase control joint requirements where thicker stucco or special structural conditions exist.

CEM-01 Cross-Section

These drawings relay the conceptual conditions of Master Wall Systems and are not the construction drawings. Ultimately the design and detailing of an entire wall system is the responsibility of a professional. These details will guide the design professional in the use of Master Wall Products. Master Wall disclaims design, warranty or construction intent or responsibility.

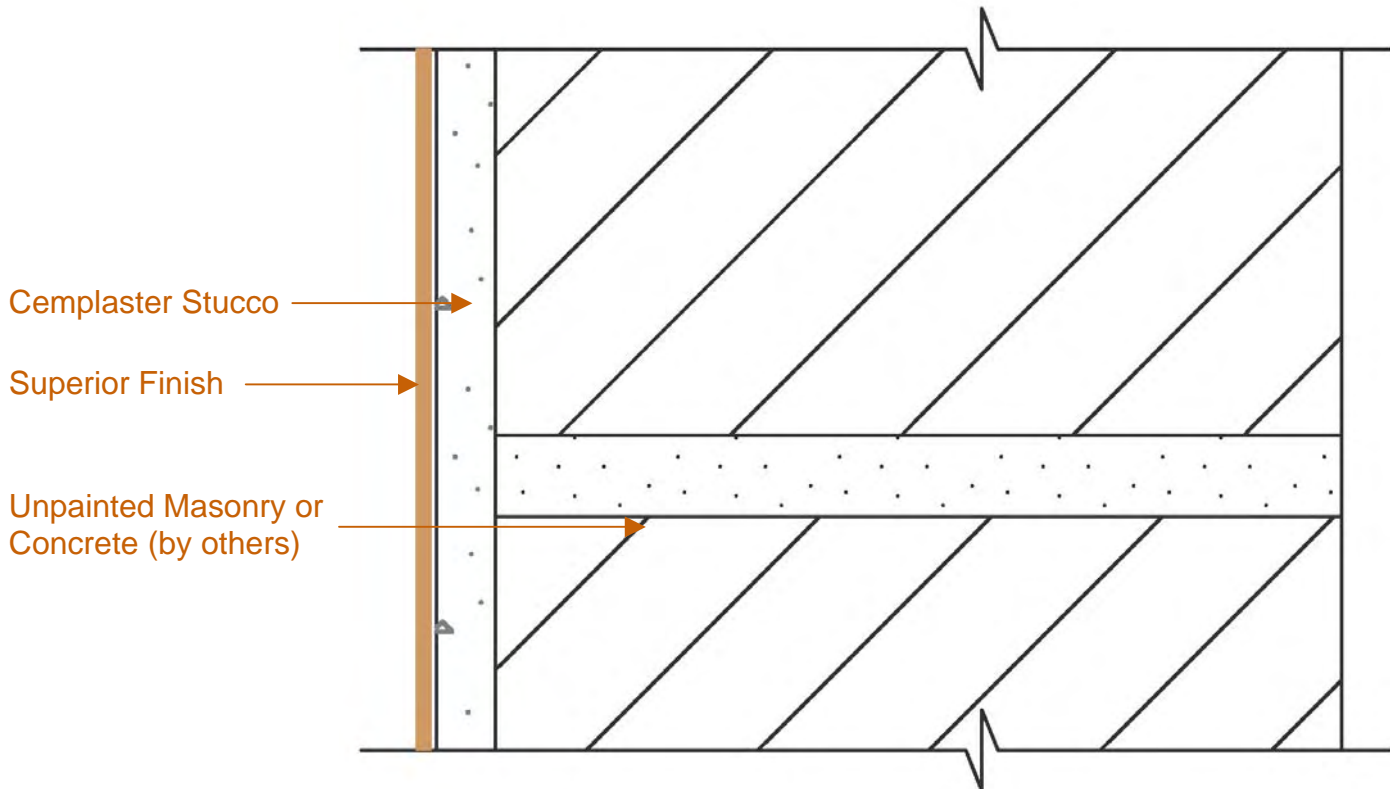


Cemplaster Stucco

Conceptual Details

Corporate • P.O. Box 397 • Fortson • Georgia • 31808 • 800-755-0825 • FAX 706-569-6704

Technical • 800-760-2861 • FAX 734-433-0930



Notes:

Control joints are required and should be located by the designer in the Cemplaster Stucco at the following locations on the construction documents:

- At masonry control joints
- In accordance with masonry guidelines
- Provide additional control joints where special conditions exist.

Cemplaster Stucco Thickness:

3/8" (9.5 mm) Concrete
1/2" (13 mm) Concrete or Masonry
5/8" (16 mm) Concrete or Masonry

CEM-02 Cross-Section

These drawings relay the conceptual conditions of Master Wall Systems and are not the construction drawings. Ultimately the design and detailing of an entire wall system is the responsibility of a professional. These details will guide the design professional in the use of Master Wall Products. Master Wall disclaims design, warranty or construction intent or responsibility.

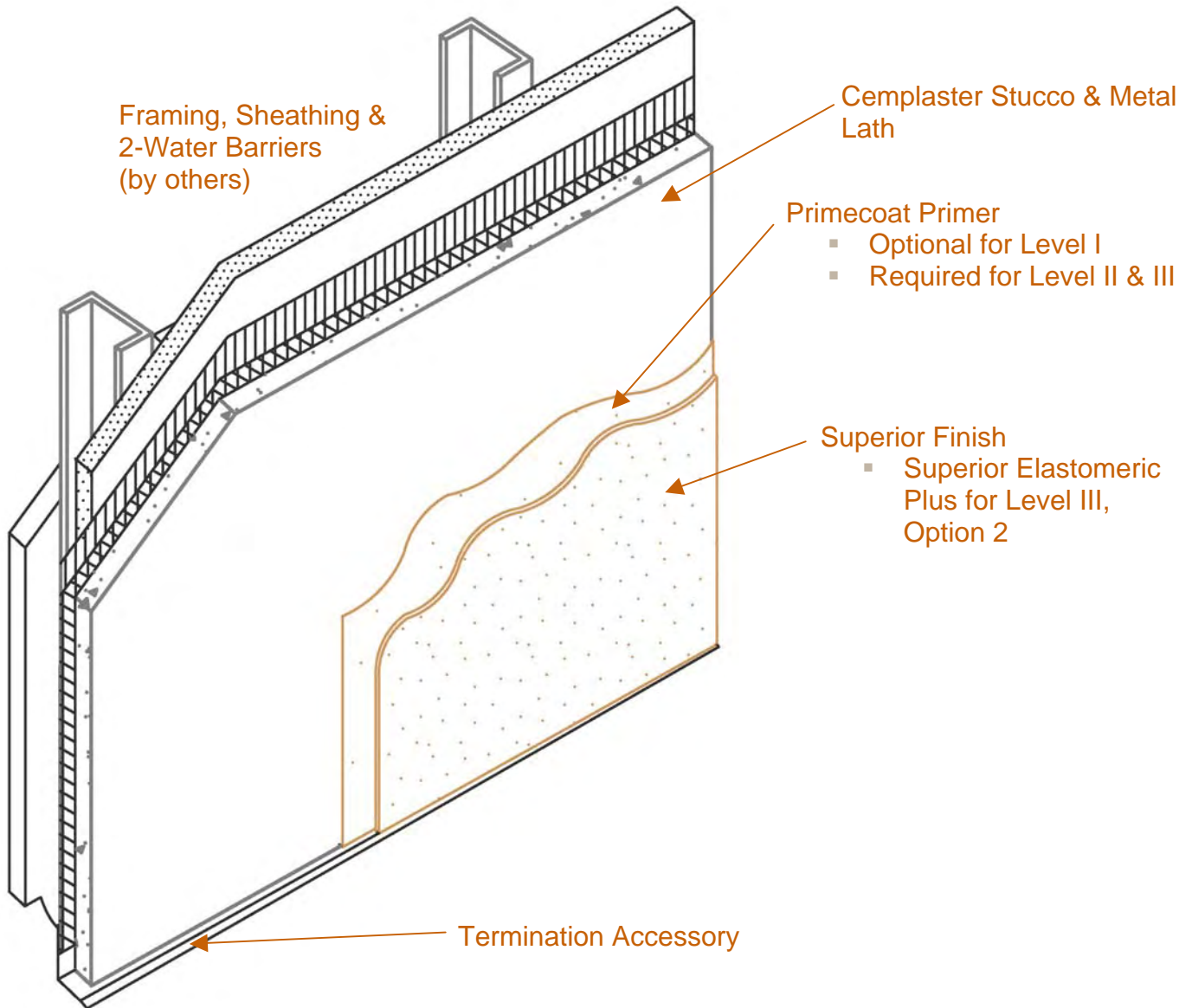


Cemplaster Stucco

Conceptual Details

Corporate • P.O. Box 397 • Fortson • Georgia • 31808 • 800-755-0825 • FAX 706-569-6704

Technical • 800-760-2861 • FAX 734-433-0930



CEM-03 Cross-Section Isometric

These drawings relay the conceptual conditions of Master Wall Systems and are not the construction drawings. Ultimately the design and detailing of an entire wall system is the responsibility of a professional. These details will guide the design professional in the use of Master Wall Products. Master Wall disclaims design, warranty or construction intent or responsibility.

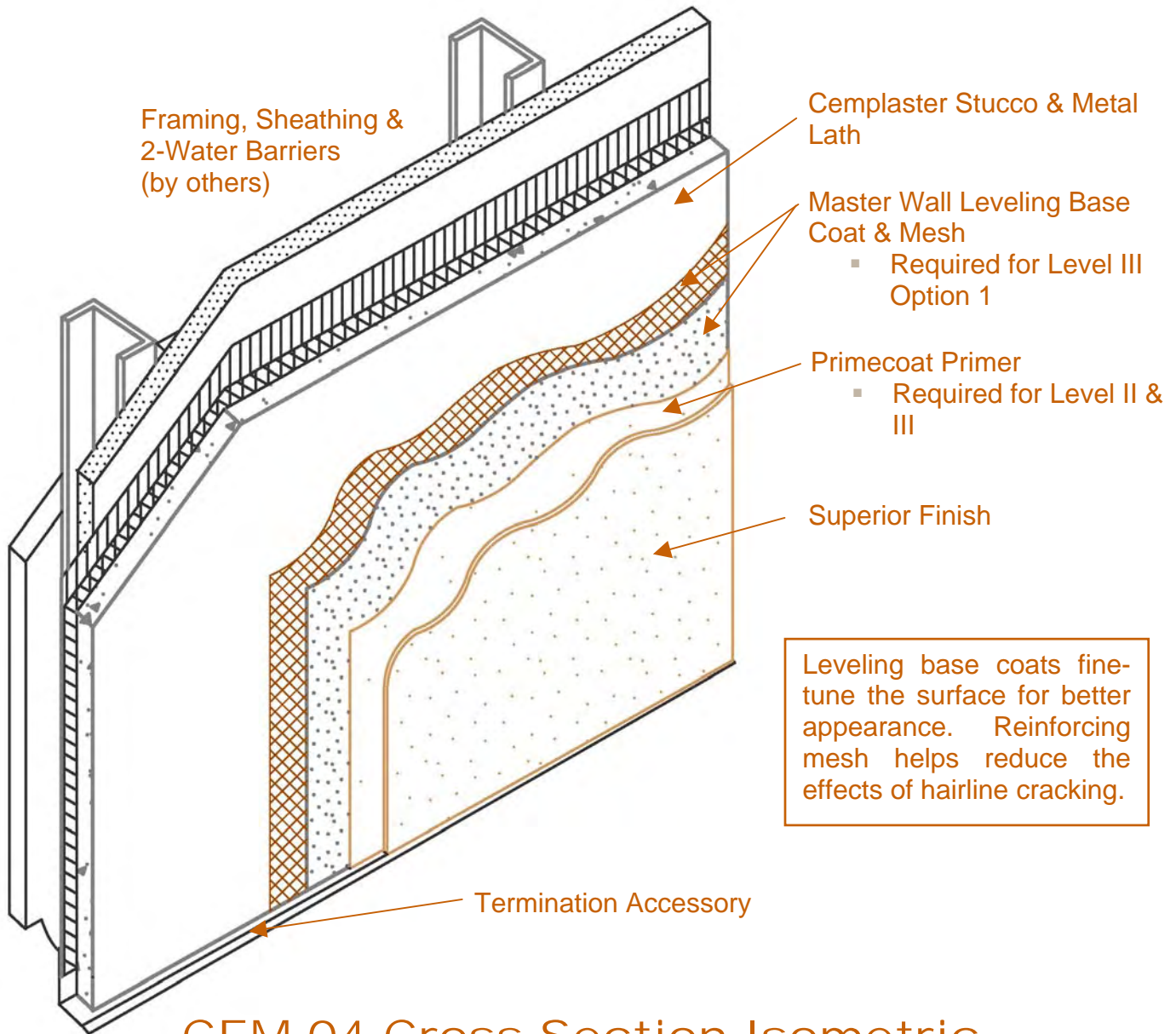


Cemplaster Stucco

Conceptual Details

Corporate • P.O. Box 397 • Fortson • Georgia • 31808 • 800-755-0825 • FAX 706-569-6704

Technical • 800-760-2861 • FAX 734-433-0930



CEM-04 Cross-Section Isometric

These drawings relay the conceptual conditions of Master Wall Systems and are not the construction drawings. Ultimately the design and detailing of an entire wall system is the responsibility of a professional. These details will guide the design professional in the use of Master Wall Products. Master Wall disclaims design, warranty or construction intent or responsibility.

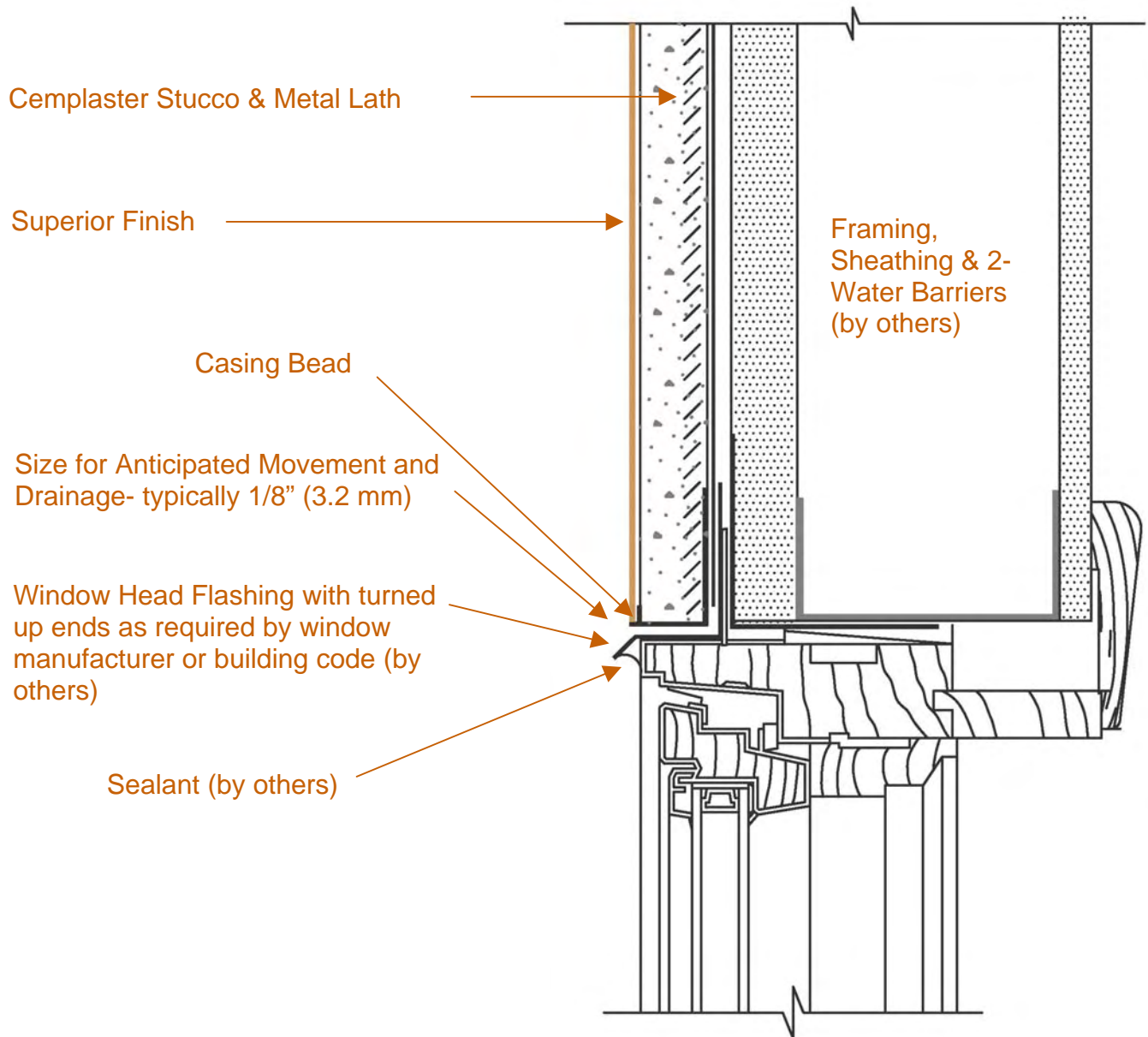


Cemplaster Stucco

Conceptual Details

Corporate • P.O. Box 397 • Fortson • Georgia • 31808 • 800-755-0825 • FAX 706-569-6704

Technical • 800-760-2861 • FAX 734-433-0930



CEM-05 Clad Window Head

These drawings relay the conceptual conditions of Master Wall Systems and are not the construction drawings. Ultimately the design and detailing of an entire wall system is the responsibility of a professional. These details will guide the design professional in the use of Master Wall Products. Master Wall disclaims design, warranty or construction intent or responsibility.

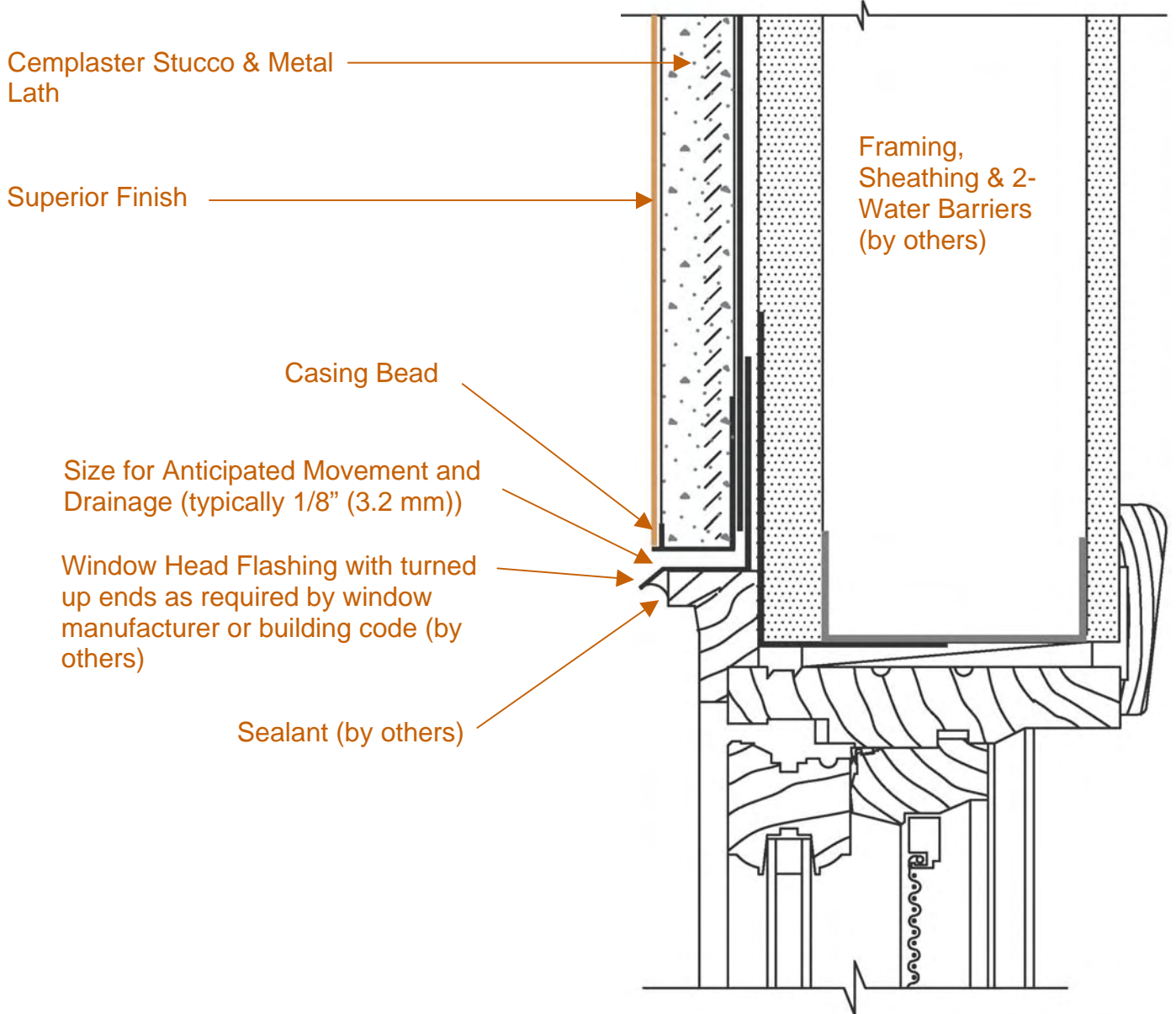


Cemplaster Stucco

Conceptual Details

Corporate • P.O. Box 397 • Fortson • Georgia • 31808 • 800-755-0825 • FAX 706-569-6704

Technical • 800-760-2861 • FAX 734-433-0930



CEM-06 Typical Wood Window Head Detail

These drawings relay the conceptual conditions of Master Wall Systems and are not the construction drawings. Ultimately the design and detailing of an entire wall system is the responsibility of a professional. These details will guide the design professional in the use of Master Wall Products. Master Wall disclaims design, warranty or construction intent or responsibility.

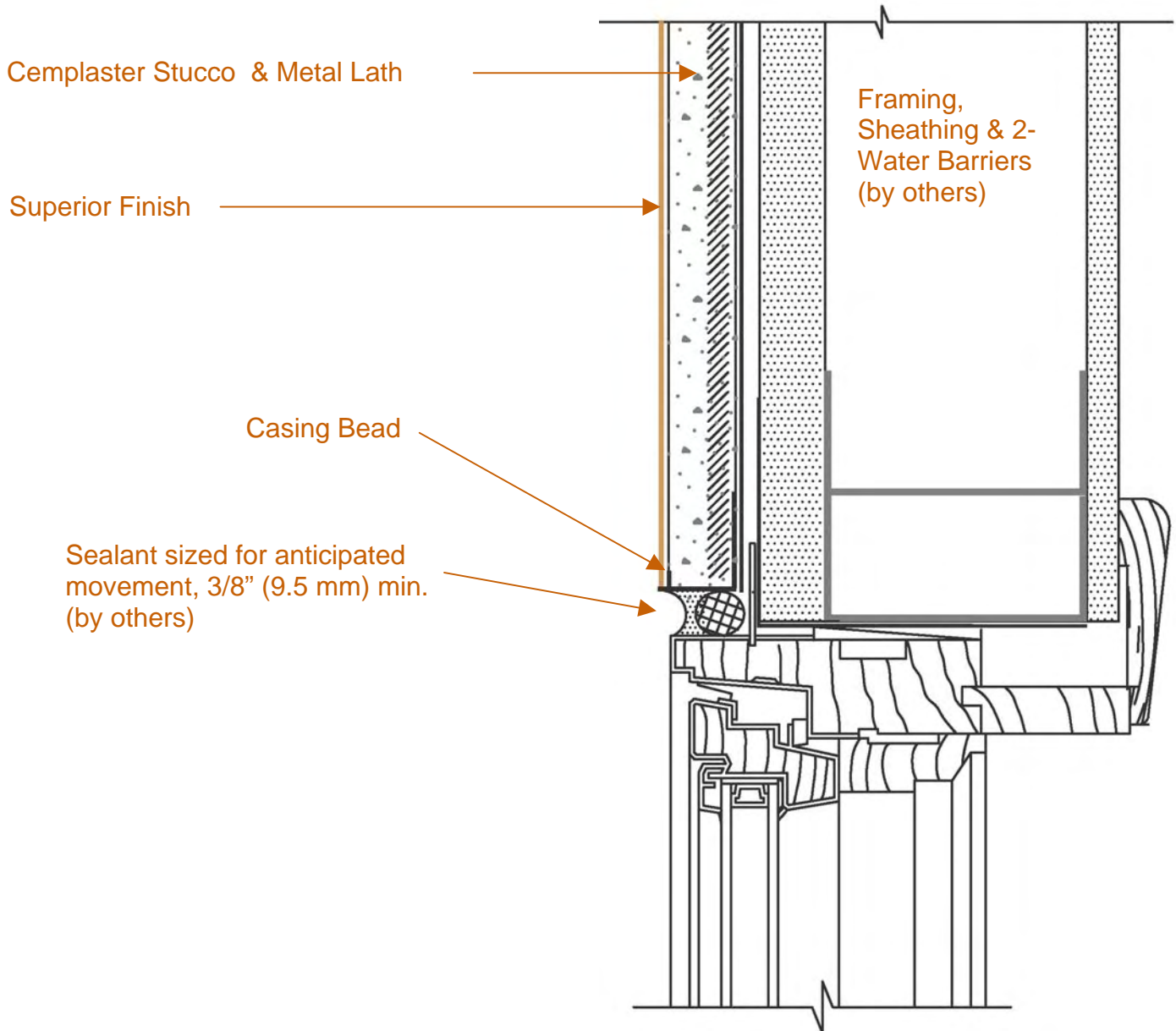


Cemplaster Stucco

Conceptual Details

Corporate • P.O. Box 397 • Fortson • Georgia • 31808 • 800-755-0825 • FAX 706-569-6704

Technical • 800-760-2861 • FAX 734-433-0930



CEM-07 Typical Jamb Detail

These drawings relay the conceptual conditions of Master Wall Systems and are not the construction drawings. Ultimately the design and detailing of an entire wall system is the responsibility of a professional. These details will guide the design professional in the use of Master Wall Products. Master Wall disclaims design, warranty or construction intent or responsibility.

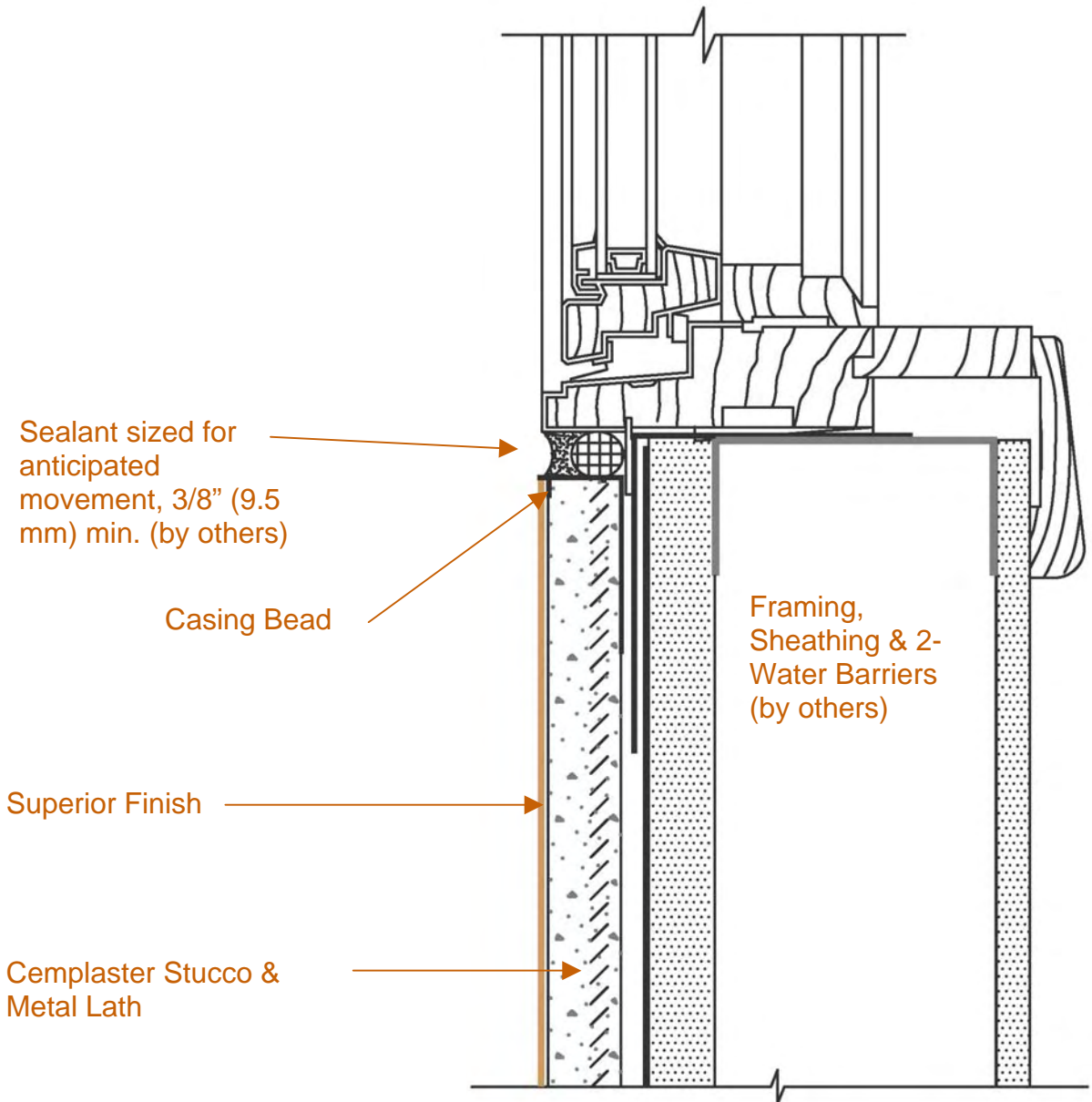


Cemplaster Stucco

Conceptual Details

Corporate • P.O. Box 397 • Fortson • Georgia • 31808 • 800-755-0825 • FAX 706-569-6704

Technical • 800-760-2861 • FAX 734-433-0930



CEM-08 Typical Sill Detail

These drawings relay the conceptual conditions of Master Wall Systems and are not the construction drawings. Ultimately the design and detailing of an entire wall system is the responsibility of a professional. These details will guide the design professional in the use of Master Wall Products. Master Wall disclaims design, warranty or construction intent or responsibility.

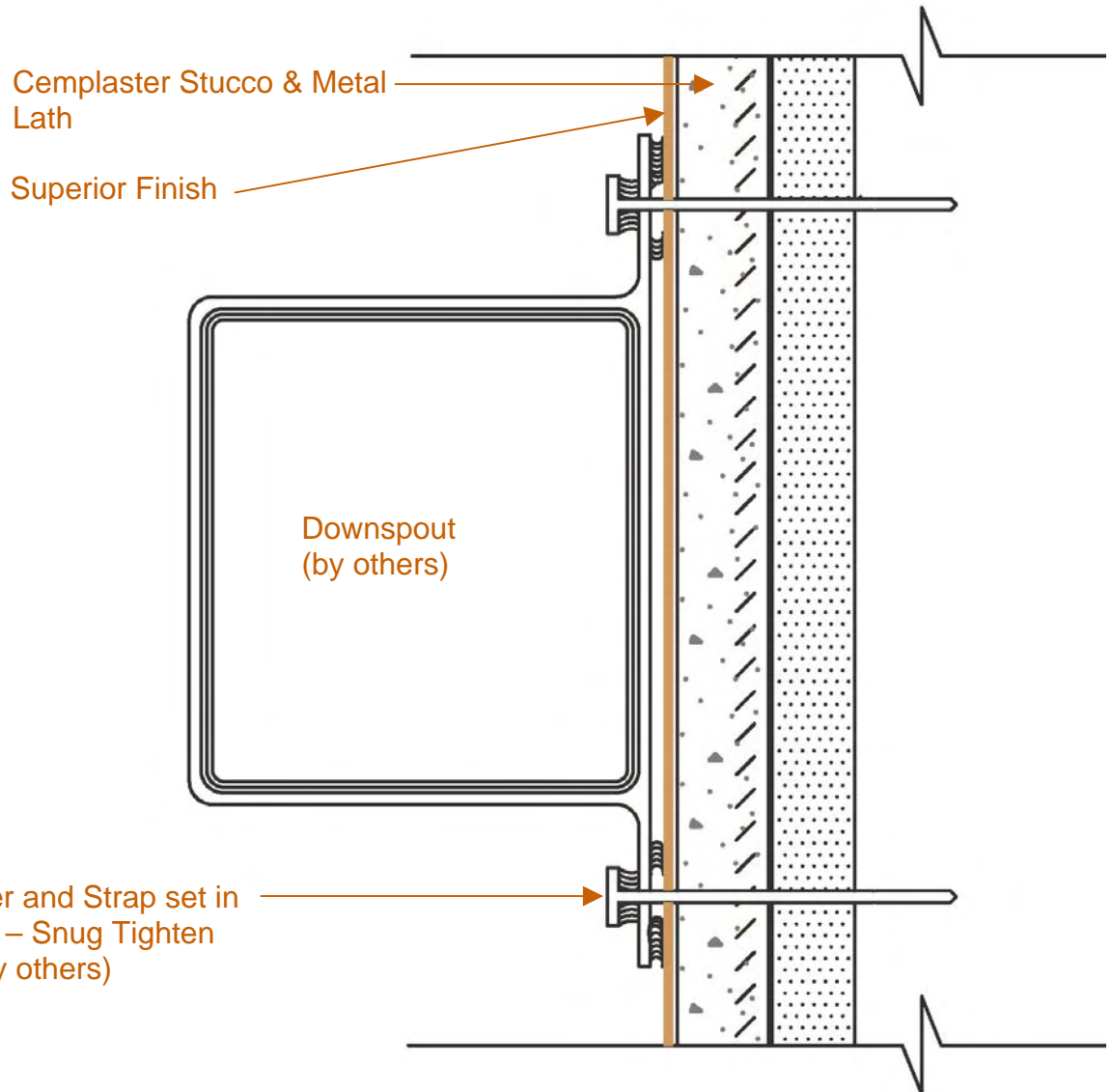


Cemplaster Stucco

Conceptual Details

Corporate • P.O. Box 397 • Fortson • Georgia • 31808 • 800-755-0825 • FAX 706-569-6704

Technical • 800-760-2861 • FAX 734-433-0930



CEM-09 Typical Downspout Attachment

These drawings relay the conceptual conditions of Master Wall Systems and are not the construction drawings. Ultimately the design and detailing of an entire wall system is the responsibility of a professional. These details will guide the design professional in the use of Master Wall Products. Master Wall disclaims design, warranty or construction intent or responsibility.

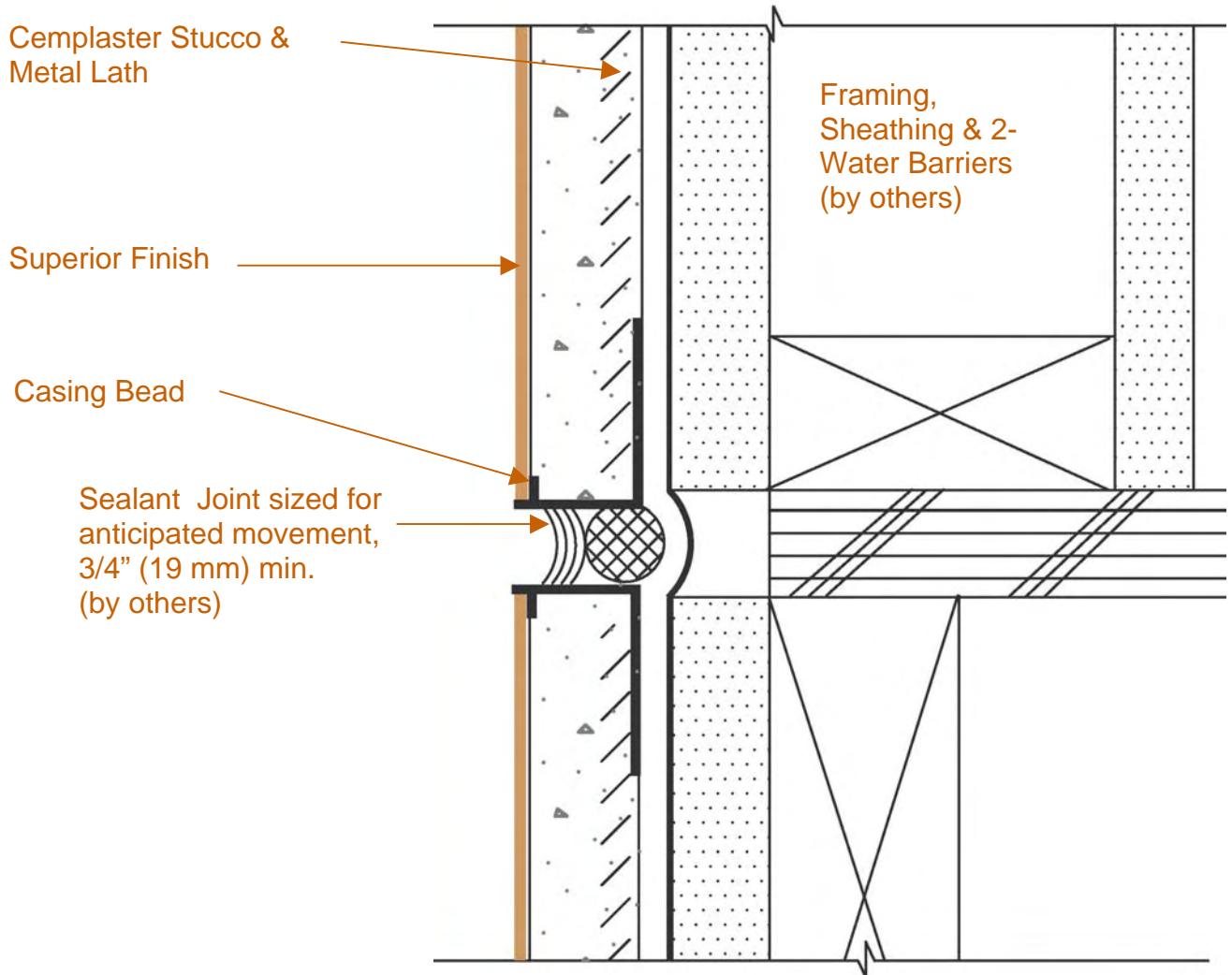


Cemplaster Stucco

Conceptual Details

Corporate • P.O. Box 397 • Fortson • Georgia • 31808 • 800-755-0825 • FAX 706-569-6704

Technical • 800-760-2861 • FAX 734-433-0930



CEM-10 Typical Horizontal Expansion Joint at Floor Line – Wood Frame Construction

These drawings relay the conceptual conditions of Master Wall Systems and are not the construction drawings. Ultimately the design and detailing of an entire wall system is the responsibility of a professional. These details will guide the design professional in the use of Master Wall Products. Master Wall disclaims design, warranty or construction intent or responsibility.

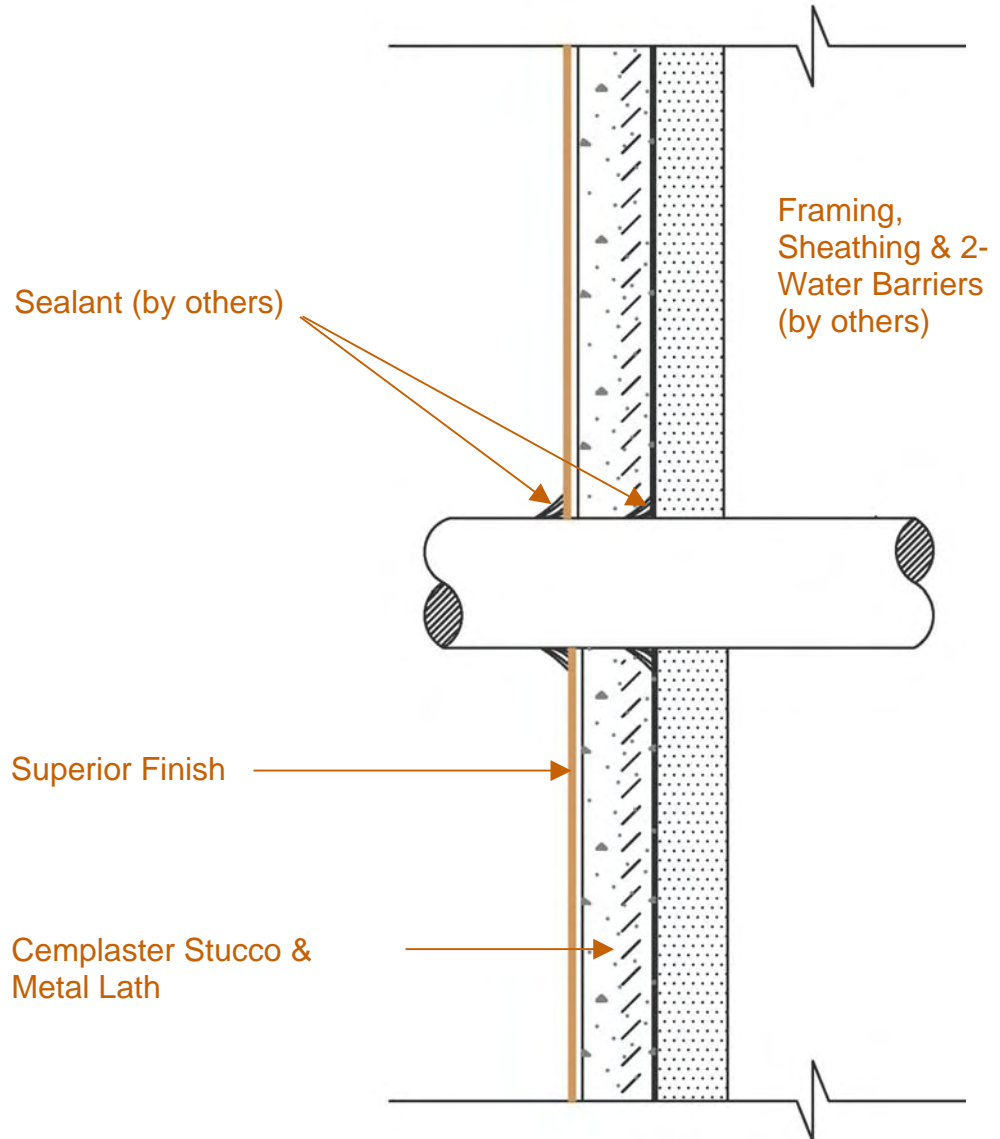


Cemplaster Stucco

Conceptual Details

Corporate • P.O. Box 397 • Fortson • Georgia • 31808 • 800-755-0825 • FAX 706-569-6704

Technical • 800-760-2861 • FAX 734-433-0930



CEM-11 Pipe Penetration Detail

These drawings relay the conceptual conditions of Master Wall Systems and are not the construction drawings. Ultimately the design and detailing of an entire wall system is the responsibility of a professional. These details will guide the design professional in the use of Master Wall Products. Master Wall disclaims design, warranty or construction intent or responsibility.

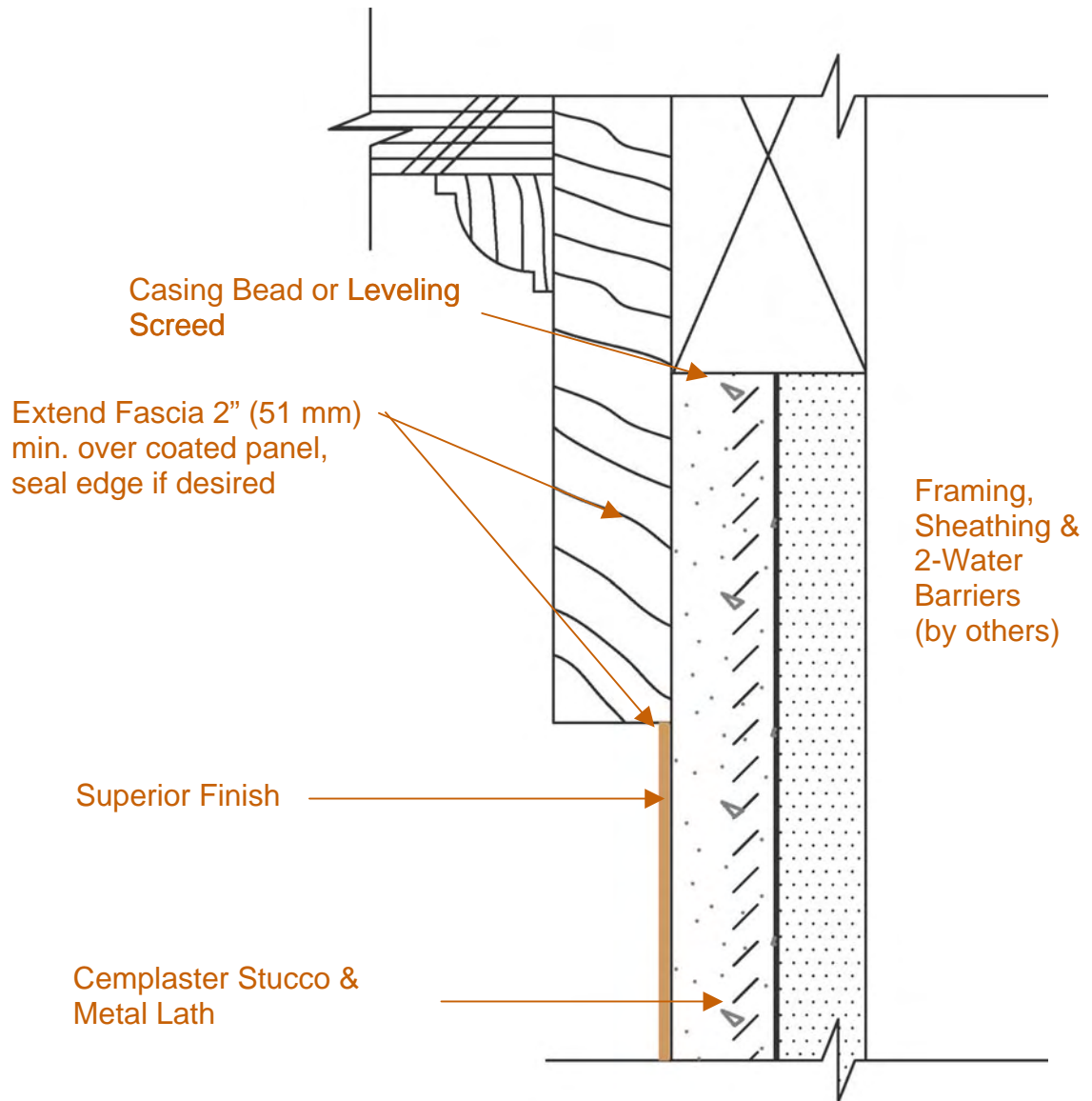


Cemplaster Stucco

Conceptual Details

Corporate • P.O. Box 397 • Fortson • Georgia • 31808 • 800-755-0825 • FAX 706-569-6704

Technical • 800-760-2861 • FAX 734-433-0930



CEM-12 Soffit/Gable Termination

These drawings relay the conceptual conditions of Master Wall Systems and are not the construction drawings. Ultimately the design and detailing of an entire wall system is the responsibility of a professional. These details will guide the design professional in the use of Master Wall Products. Master Wall disclaims design, warranty or construction intent or responsibility.

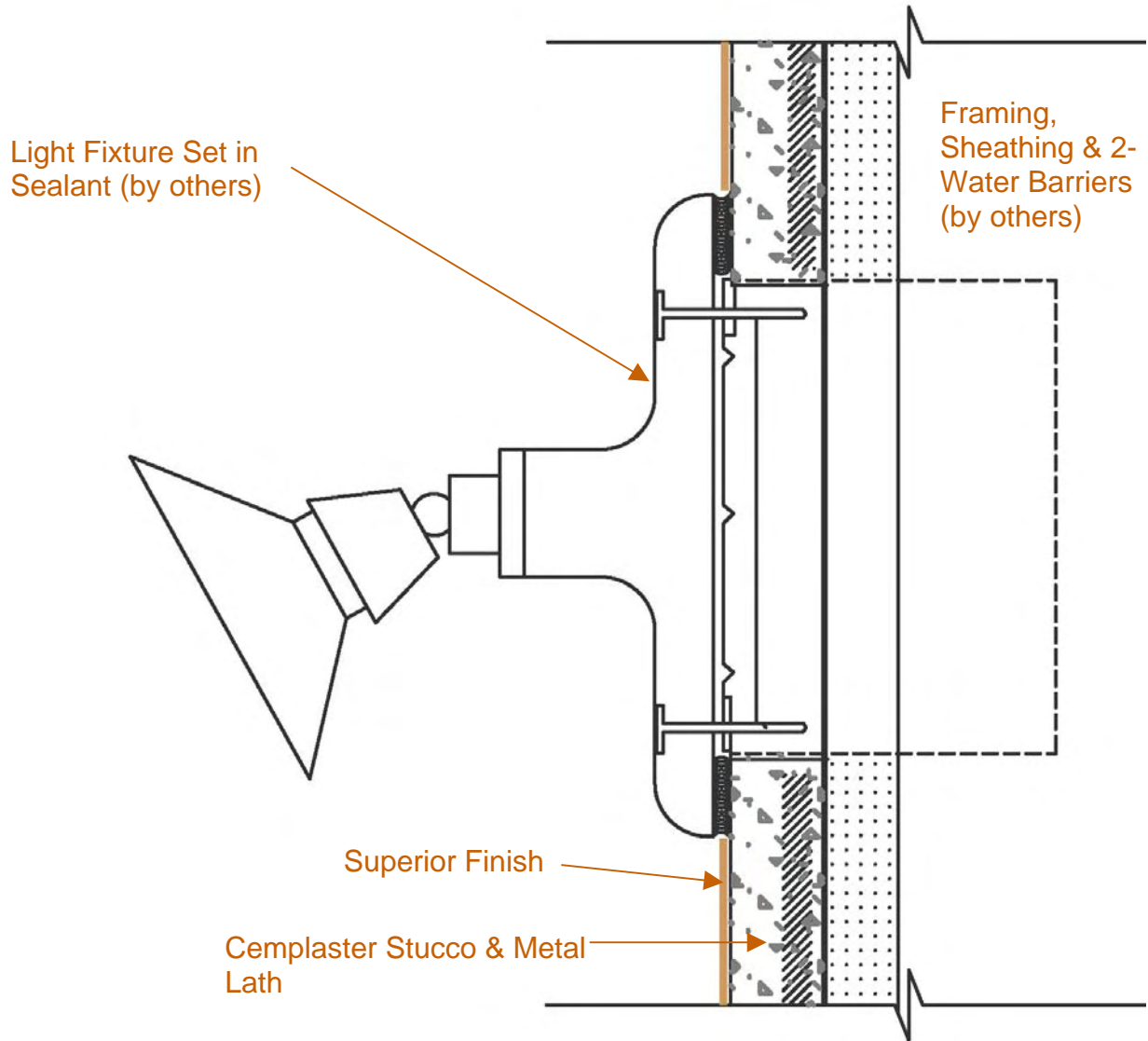


Cemplaster Stucco

Conceptual Details

Corporate • P.O. Box 397 • Fortson • Georgia • 31808 • 800-755-0825 • FAX 706-569-6704

Technical • 800-760-2861 • FAX 734-433-0930



CEM-13 Typical Light Fixture

These drawings relay the conceptual conditions of Master Wall Systems and are not the construction drawings. Ultimately the design and detailing of an entire wall system is the responsibility of a professional. These details will guide the design professional in the use of Master Wall Products. Master Wall disclaims design, warranty or construction intent or responsibility.

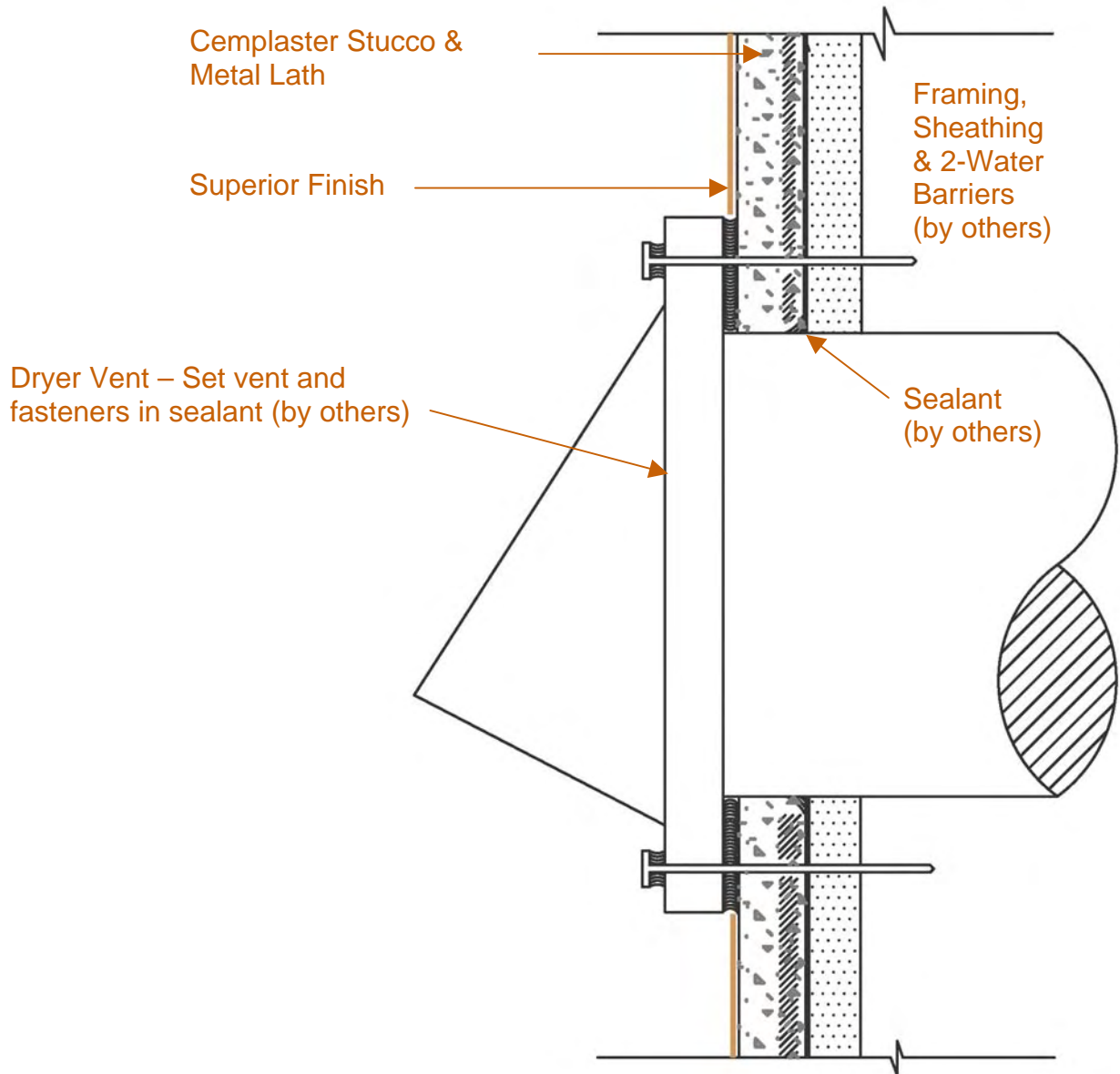


Cemplaster Stucco

Conceptual Details

Corporate • P.O. Box 397 • Fortson • Georgia • 31808 • 800-755-0825 • FAX 706-569-6704

Technical • 800-760-2861 • FAX 734-433-0930



CEM-14 Dryer Vent Detail

These drawings relay the conceptual conditions of Master Wall Systems and are not the construction drawings. Ultimately the design and detailing of an entire wall system is the responsibility of a professional. These details will guide the design professional in the use of Master Wall Products. Master Wall disclaims design, warranty or construction intent or responsibility.

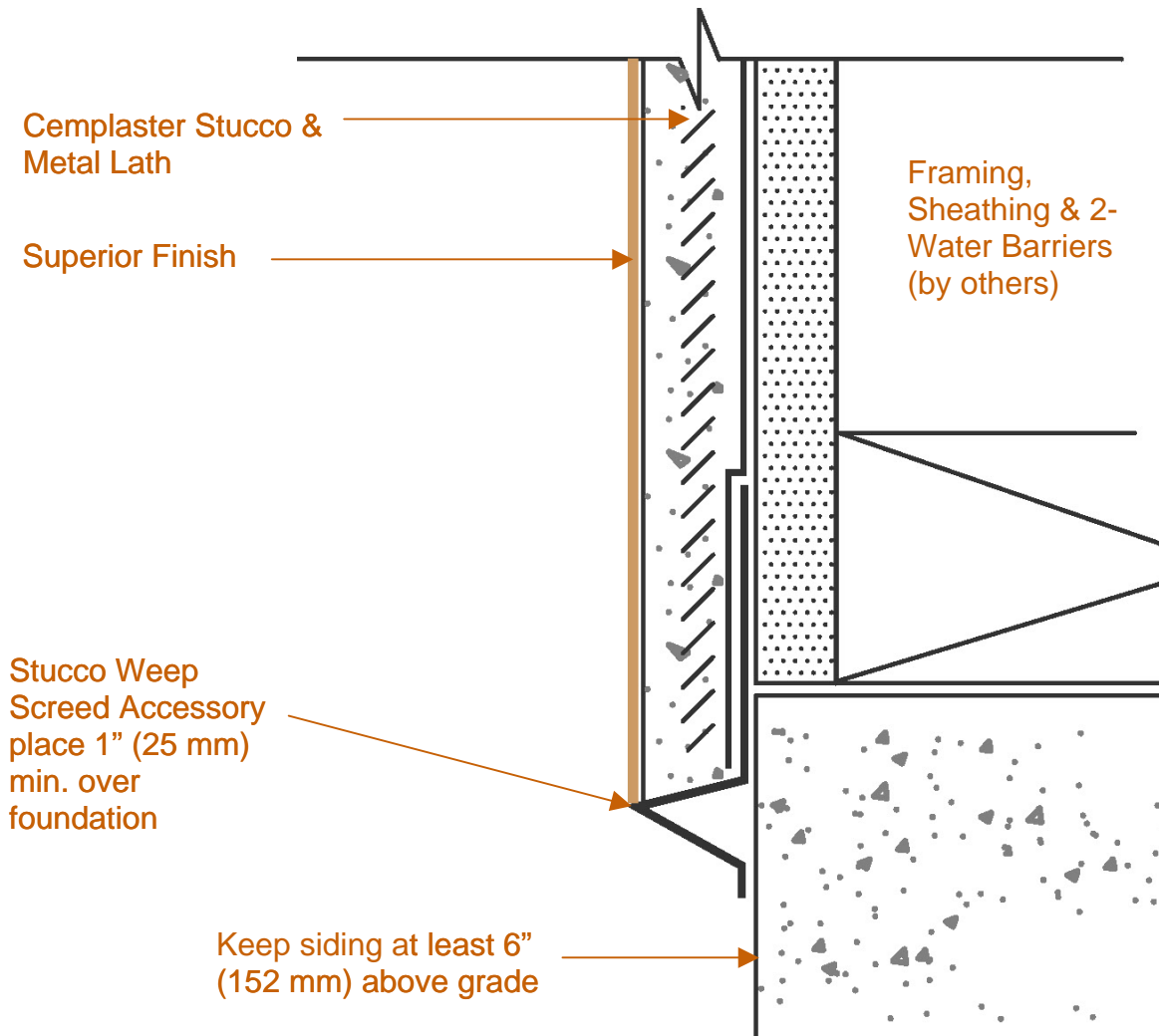


Cemplaster Stucco

Conceptual Details

Corporate • P.O. Box 397 • Fortson • Georgia • 31808 • 800-755-0825 • FAX 706-569-6704

Technical • 800-760-2861 • FAX 734-433-0930



CEM-15 Termination at Foundation Detail

These drawings relay the conceptual conditions of Master Wall Systems and are not the construction drawings. Ultimately the design and detailing of an entire wall system is the responsibility of a professional. These details will guide the design professional in the use of Master Wall Products. Master Wall disclaims design, warranty or construction intent or responsibility.

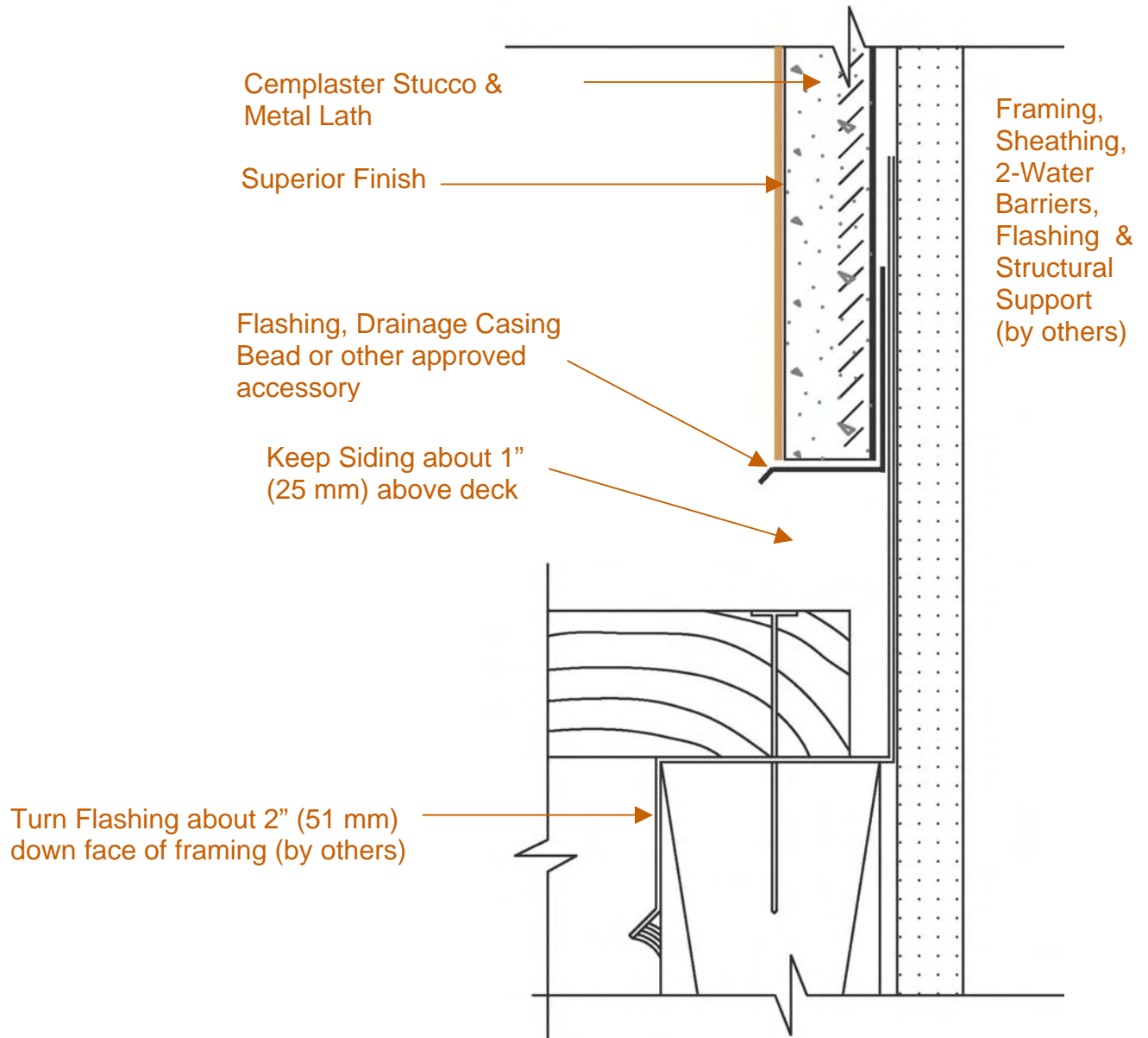


Cemplaster Stucco

Conceptual Details

Corporate • P.O. Box 397 • Fortson • Georgia • 31808 • 800-755-0825 • FAX 706-569-6704

Technical • 800-760-2861 • FAX 734-433-0930



CEM-16 Termination at Decking

These drawings relay the conceptual conditions of Master Wall Systems and are not the construction drawings. Ultimately the design and detailing of an entire wall system is the responsibility of a professional. These details will guide the design professional in the use of Master Wall Products. Master Wall disclaims design, warranty or construction intent or responsibility.

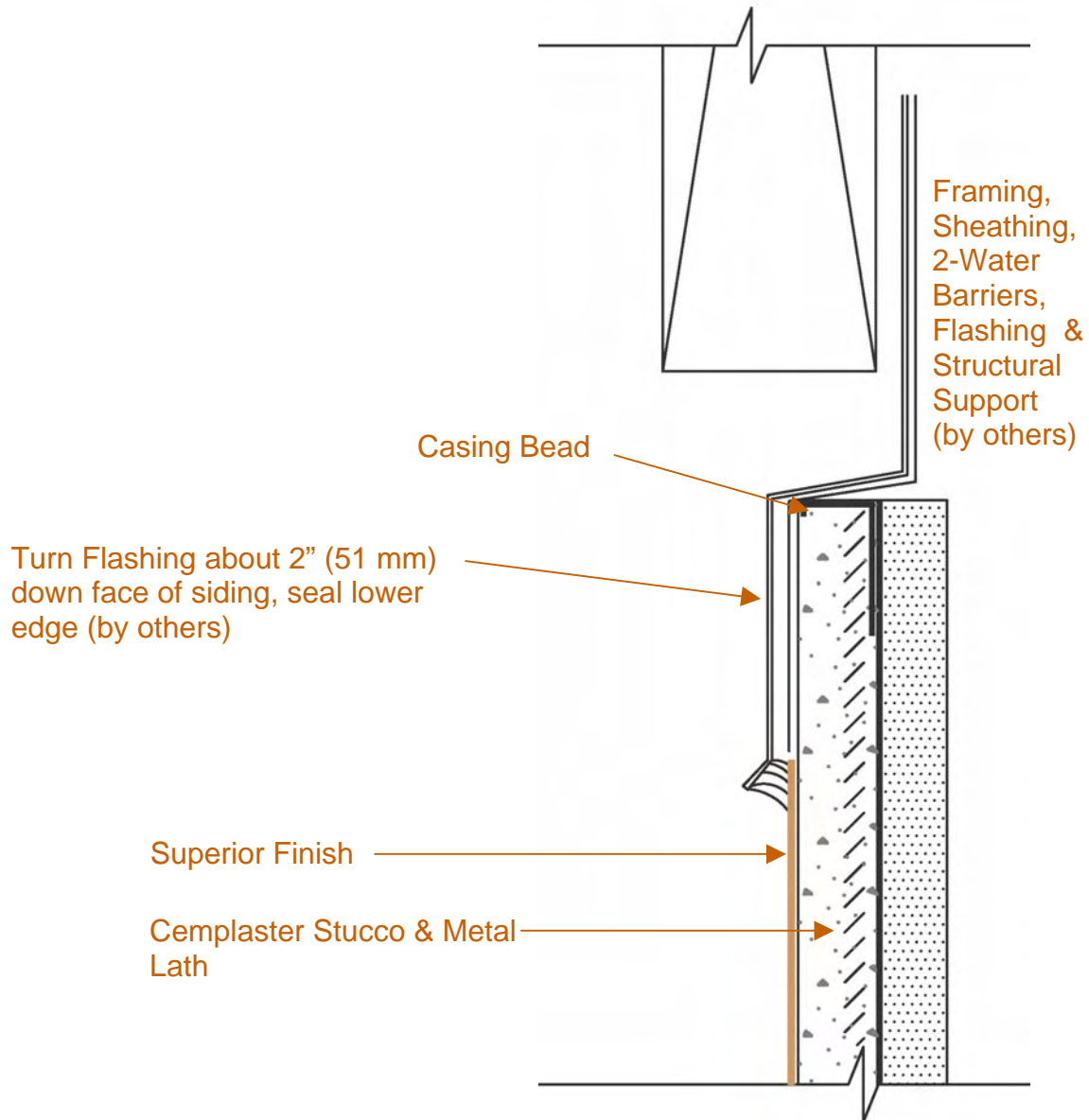


Cemplaster Stucco

Conceptual Details

Corporate • P.O. Box 397 • Fortson • Georgia • 31808 • 800-755-0825 • FAX 706-569-6704

Technical • 800-760-2861 • FAX 734-433-0930



CEM-17 Termination Under Deck

These drawings relay the conceptual conditions of Master Wall Systems and are not the construction drawings. Ultimately the design and detailing of an entire wall system is the responsibility of a professional. These details will guide the design professional in the use of Master Wall Products. Master Wall disclaims design, warranty or construction intent or responsibility.

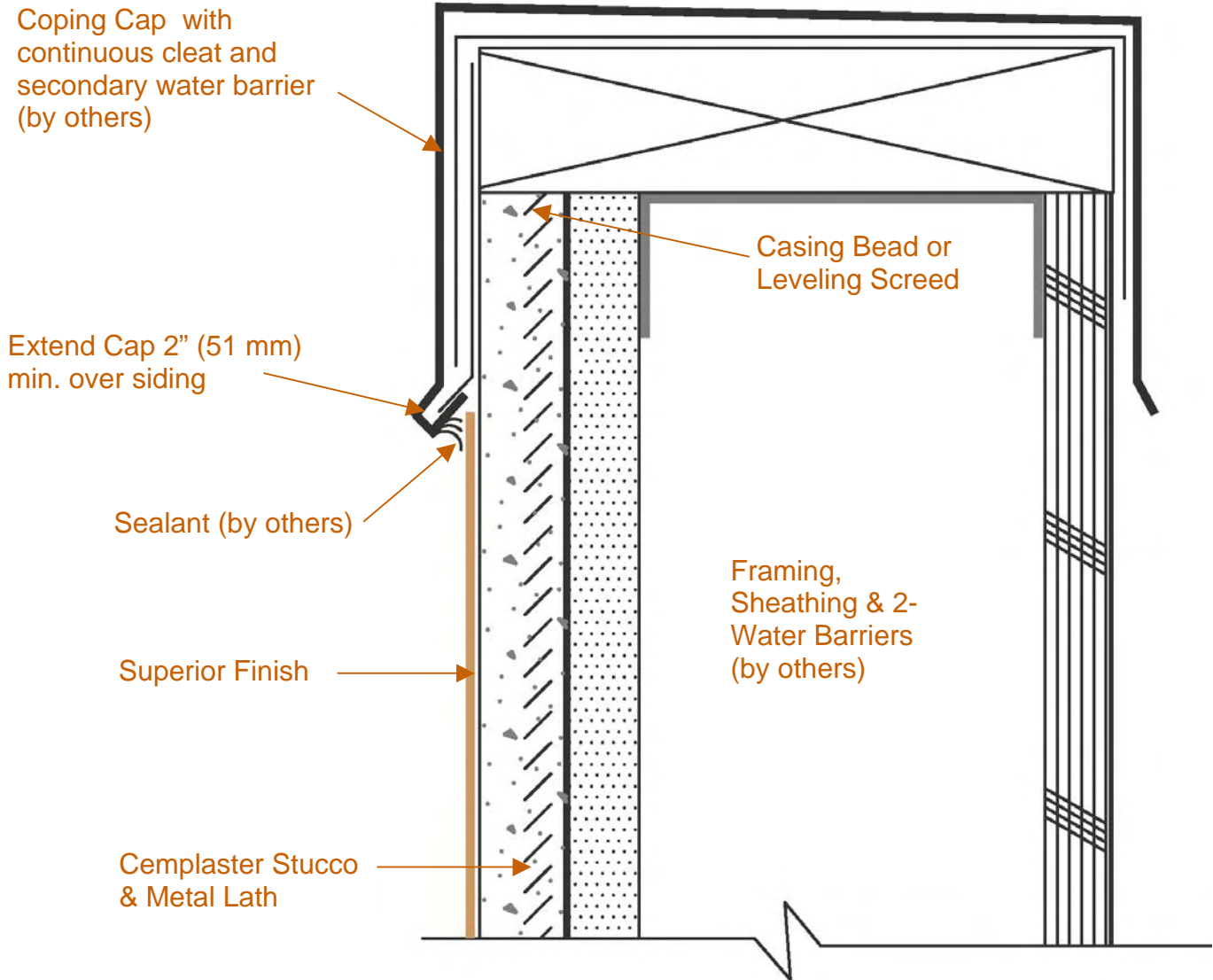


Cemplaster Stucco

Conceptual Details

Corporate • P.O. Box 397 • Fortson • Georgia • 31808 • 800-755-0825 • FAX 706-569-6704

Technical • 800-760-2861 • FAX 734-433-0930



CEM-18 Cap Detail

These drawings relay the conceptual conditions of Master Wall Systems and are not the construction drawings. Ultimately the design and detailing of an entire wall system is the responsibility of a professional. These details will guide the design professional in the use of Master Wall Products. Master Wall disclaims design, warranty or construction intent or responsibility.

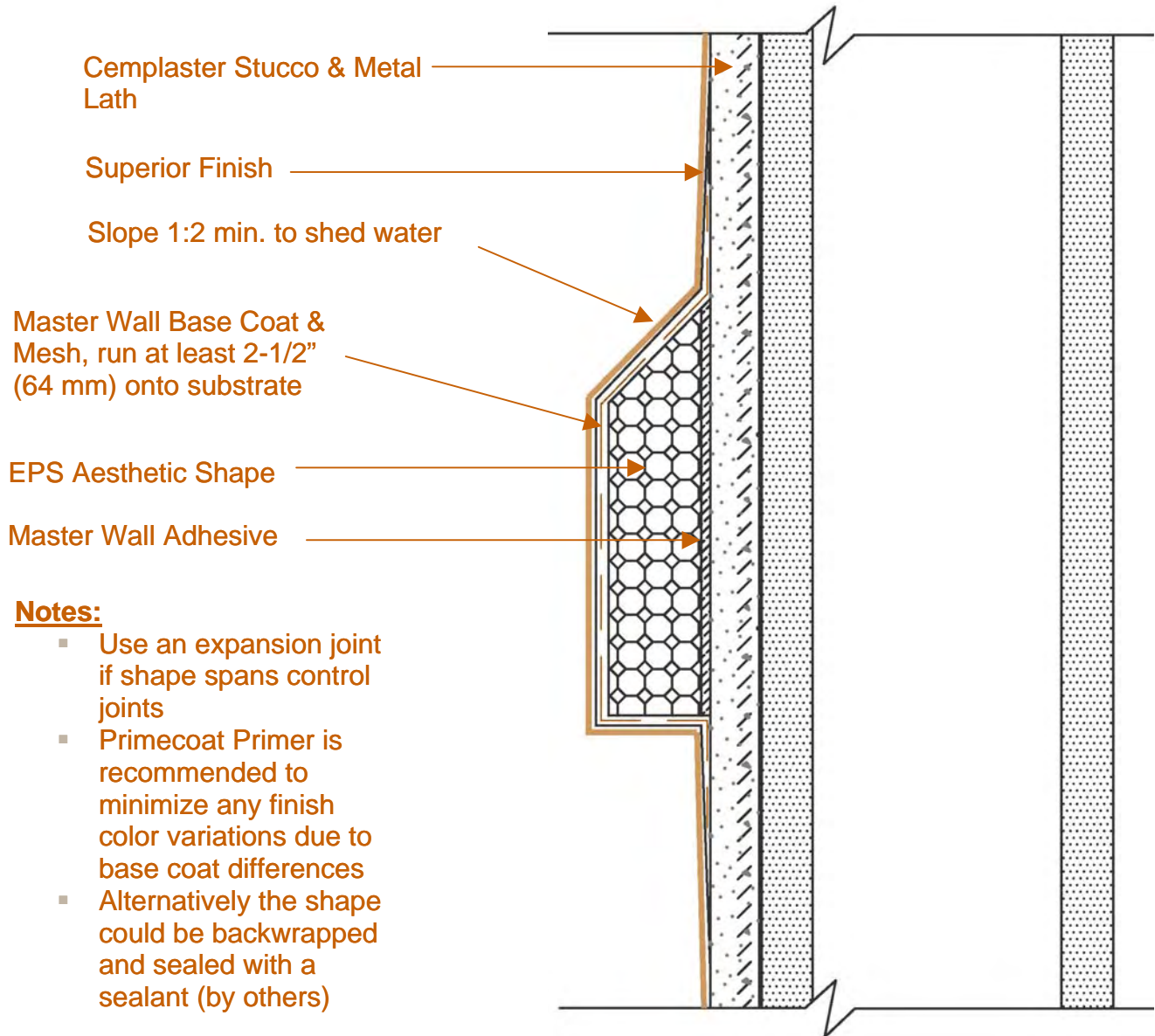


Cemplaster Stucco

Conceptual Details

Corporate • P.O. Box 397 • Fortson • Georgia • 31808 • 800-755-0825 • FAX 706-569-6704

Technical • 800-760-2861 • FAX 734-433-0930



CEM-19 EPS Shape Detail

These drawings relay the conceptual conditions of Master Wall Systems and are not the construction drawings. Ultimately the design and detailing of an entire wall system is the responsibility of a professional. These details will guide the design professional in the use of Master Wall Products. Master Wall disclaims design, warranty or construction intent or responsibility.



Cemplaster Stucco

Conceptual Details

Corporate • P.O. Box 397 • Fortson • Georgia • 31808 • 800-755-0825 • FAX 706-569-6704

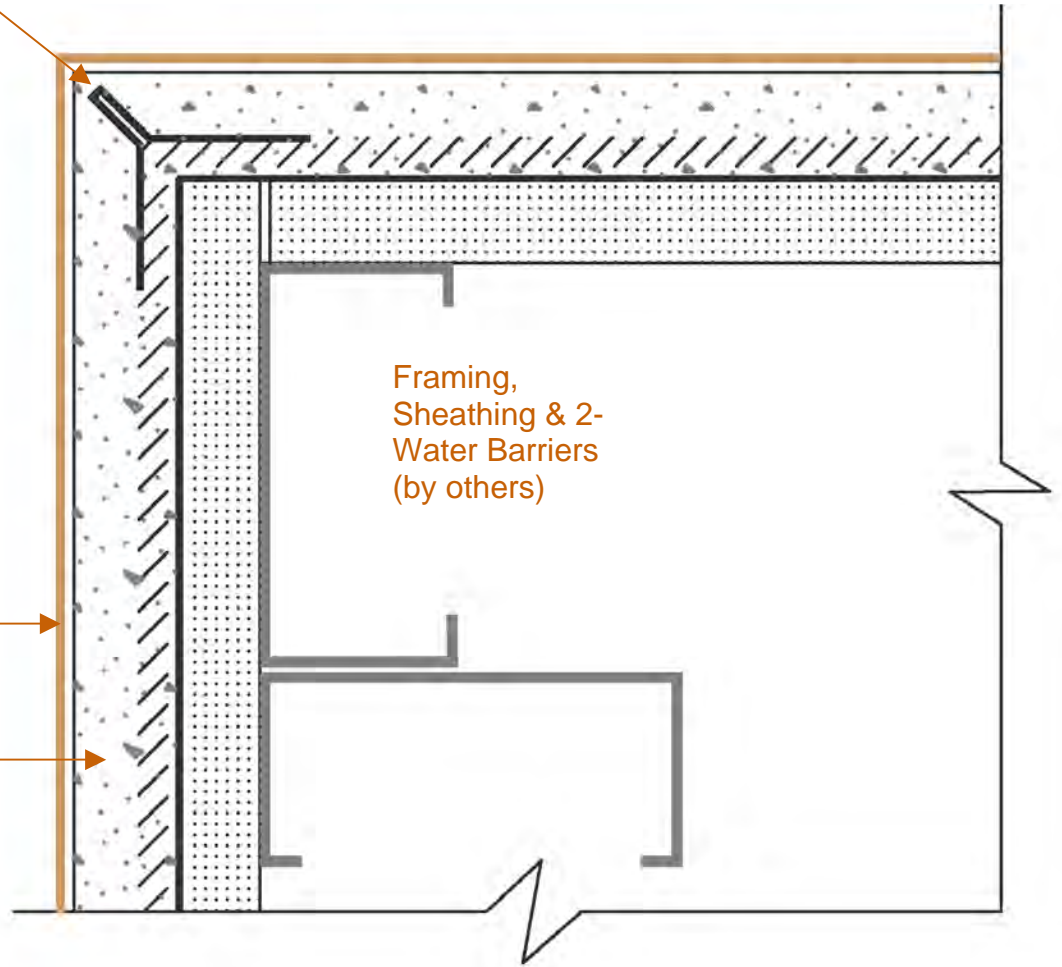
Technical • 800-760-2861 • FAX 734-433-0930

Corner Bead or
Cornerite

Superior Finish

Cemplaster
Stucco &
Metal Lath

Framing,
Sheathing & 2-
Water Barriers
(by others)



CEM-20 Corner Detail

These drawings relay the conceptual conditions of Master Wall Systems and are not the construction drawings. Ultimately the design and detailing of an entire wall system is the responsibility of a professional. These details will guide the design professional in the use of Master Wall Products. Master Wall disclaims design, warranty or construction intent or responsibility.

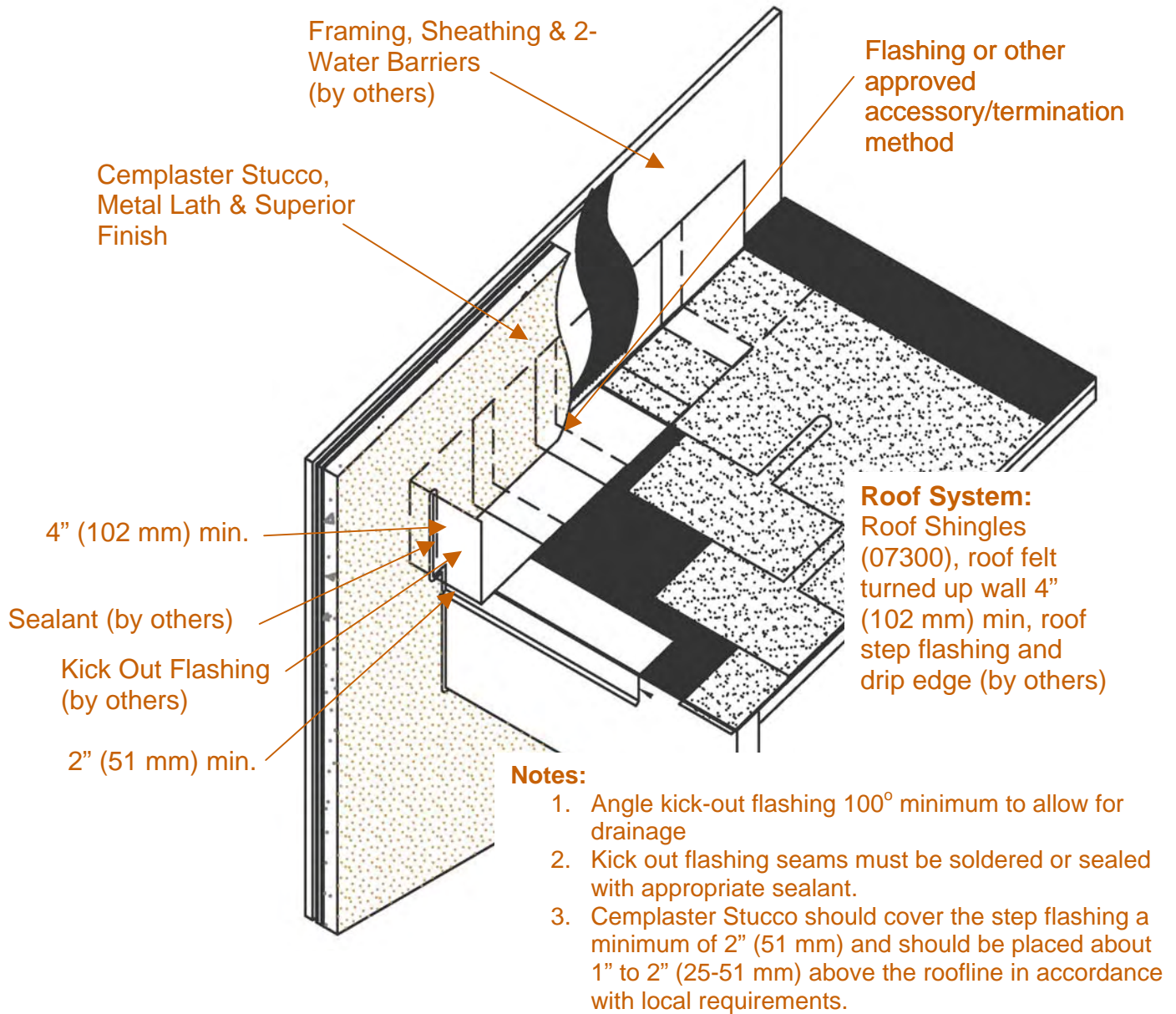


Cemplaster Stucco

Conceptual Details

Corporate • P.O. Box 397 • Fortson • Georgia • 31808 • 800-755-0825 • FAX 706-569-6704

Technical • 800-760-2861 • FAX 734-433-0930



CEM-21 Typical Roof/Wall Intersection

These drawings relay the conceptual conditions of Master Wall Systems and are not the construction drawings. Ultimately the design and detailing of an entire wall system is the responsibility of a professional. These details will guide the design professional in the use of Master Wall Products. Master Wall disclaims design, warranty or construction intent or responsibility.



Master Wall, Inc
Building a Culture of Excellence

Cemplaster Stucco

7 Year Labor & Material Limited Warranty

sample

Master Wall Inc. warrants the properly designed and installed Cemplaster Stucco System and materials for 7 years from the date of installation. Master Wall Inc.'s exclusive liability under this warranty is to supply replacement materials and labor or corrective procedures, if it is shown that the materials supplied by Master Wall Inc., were defective when installed by the Master Wall Inc. certified applicator. Remedies shall be solely determined by Master Wall Inc. and no other warranties are expressed or implied. For a valid warranty, the system and products must be installed in accordance with Master Wall Inc.'s written recommendations, specifications, details, bulletins and other project-specific written recommendations. Master Wall Inc. must be notified in writing within 10 business days of the original discovery of the defect.

Master Wall Inc., is not responsible for structural conditions, design conditions beyond those noted in our literature, architecture, engineering or workmanship of any project. Cemplaster Stucco may have hairline cracks, spalling, fastener popping or efflorescence, which are not considered product defects. Materials must be properly stored and applied in a timely manner. Workmanship, aesthetics and installation are beyond the scope of this warranty as are any deviations from Master Wall Inc. Documents not specifically approved in writing.

Abuse, misuse, excessive weather or environmental conditions beyond what the products or systems have been tested, designed or approved for is expressly limited. Certain colors with organic pigments are less fade-resistant than others. The building, system and products must be properly maintained in accordance with Master Wall Inc., documents, local environmental conditions and good building practices. In no case is Master Wall Inc. responsible for incidental and consequential damages.

This warranty becomes effective only when all bills for the components of the system have been paid.

Except as stated, Master Wall, Inc., expressly disclaims any warranty of merchantability or fitness for a particular purpose. The above remedies are to be deemed exclusive.

Project:

Applicator:

Warranty Date: