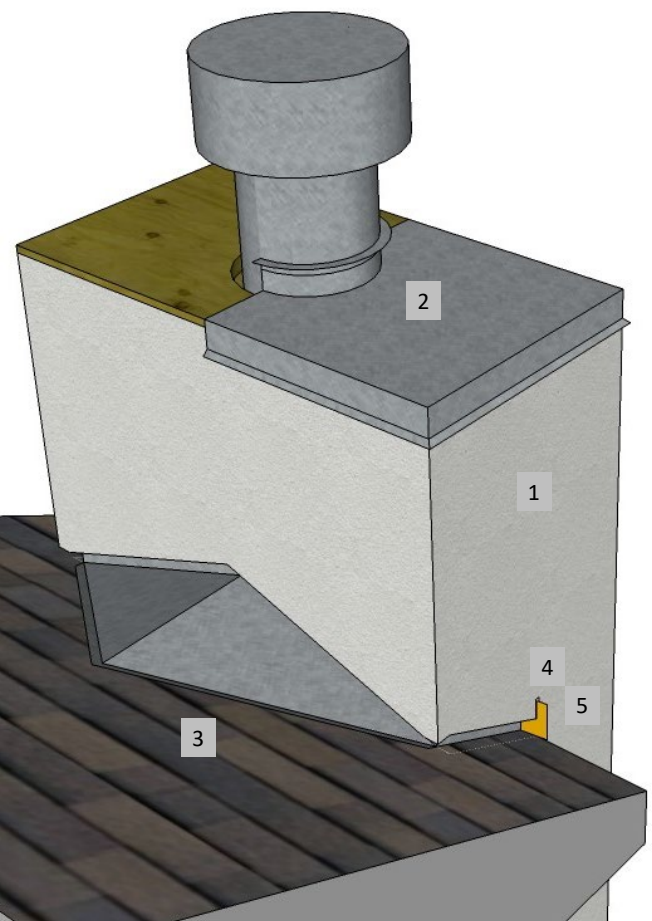




**Master Wall Inc.**  
Building a Culture of Excellence

**ROLLERSHIELD DRAINAGE  
CIFS® TYPE MW**

**SYSTEM DETAIL**



1. **MASTER WALL ROLLERSHIELD DRAINAGE CIFS® TYPE MW APPLICATION**
2. CHIMNEY CAP, EXTEND 2" (51 MM) MIN. OVER CIFS® AND SEAL LOWER EDGE.
3. CHIMNEY CRICKET FORMED OUT OF METAL OR ROOFING BY ROOFER, TURNED UP WALL 4" (102 MM) MIN.
4. ROOF KICK OUT
5. SEAL KICK OUT FLASHING TO CIFS®

**RDCIFSMW-41 CHIMNEY CRICKET**

**M Master Wall Inc.**  
Building a Culture of Excellence

PO Box 397 · Fortson · GA · 31808 · 800-755-0825 · masterwall.com

These drawings relay the conceptual conditions of Master Wall® Systems and are not the construction drawings. Ultimately the design and detailing of an entire wall system is the responsibility of a professional. These details will guide the design professional in the use of Master Wall® Products. Master Wall disclaims design, warranty or construction intent or responsibility. **Bold or Brand Name = Master Wall® Product.** ©2025 Master Wall Inc.®