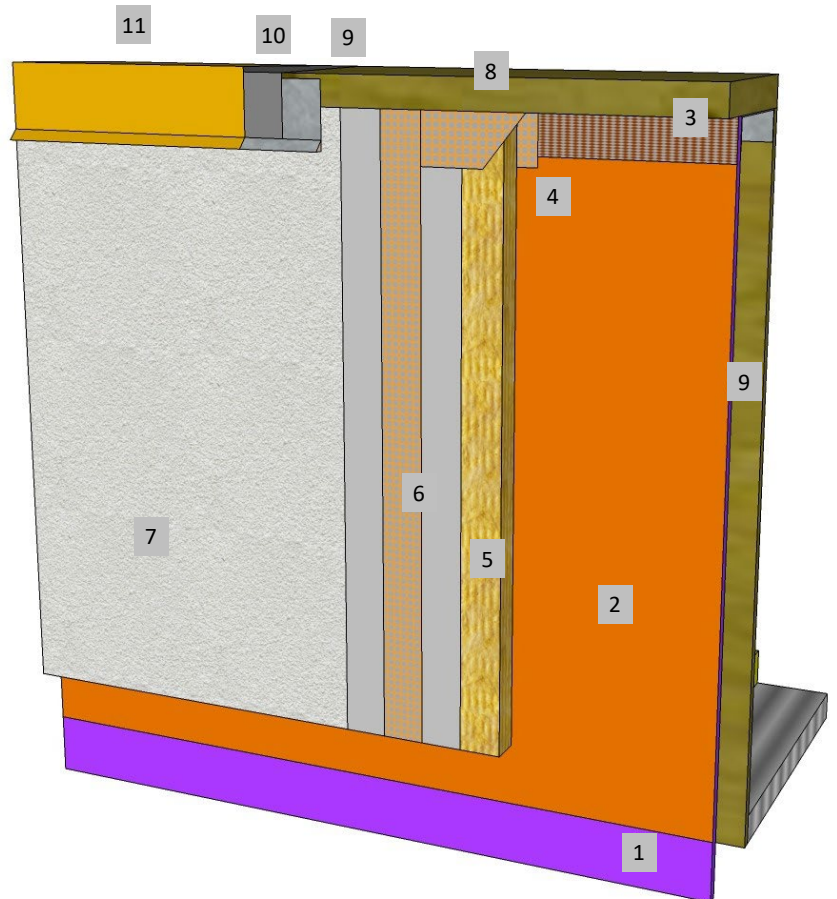
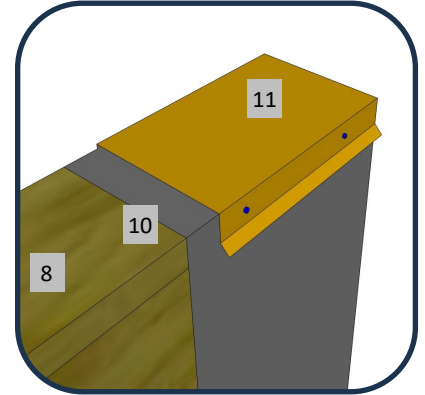
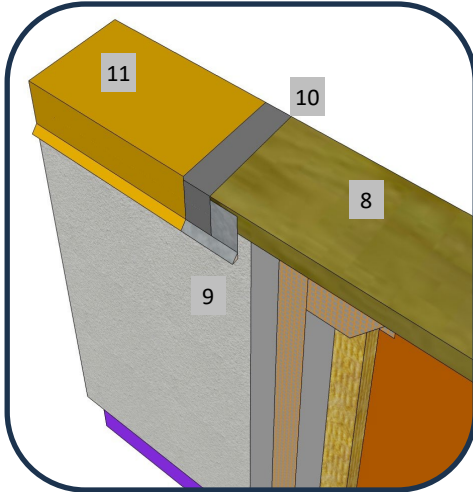




Master Wall Inc.
Building a Culture of Excellence

**ROLLERSHIELD DRAINAGE
CIFS® TYPE MW**

SYSTEM DETAIL



1. FRAMING & APPROVED SUBSTRATE
2. ROLLERSHIELD AIR/WATER BARRIER
3. SUPERIORSHIELD FLASHING TAPE PLACED ONTO NAILER
4. BACKWRAPPING SHOWN, EIFS PLASTIC ACCESSORIES ARE OPTIONAL
5. MINERAL WOOL INSULATION BOARD ADHERED WITH CHANNELED ADHESIVE
6. MASTER WALL BASE COAT AND MESH
7. SUPERIOR FINISH
8. TREATED NAILER
9. ROOF CLEAT, EXTEND 2-1/2" (63 MM) OVER SYSTEM AND SEAL LOWER EDGE
10. ROOFING MATERIAL OR SECONDARY UNDER-CAP PROTECTION
11. ROOF CAP, SLOPE TO BACK OF PARAPET, FASTENED TO NAILER

RDCIFSMW-37 PARAPET CAP

Master Wall Inc.
Building a Culture of Excellence

PO Box 397 · Fortson · GA · 31808 · 800-755-0825 · masterwall.com

These drawings relay the conceptual conditions of Master Wall® Systems and are not the construction drawings. Ultimately the design and detailing of an entire wall system is the responsibility of a professional. These details will guide the design professional in the use of Master Wall® Products. Master Wall disclaims design, warranty or construction intent or responsibility. **Bold or Brand Name = Master Wall® Product.** ©2025 Master Wall Inc.®