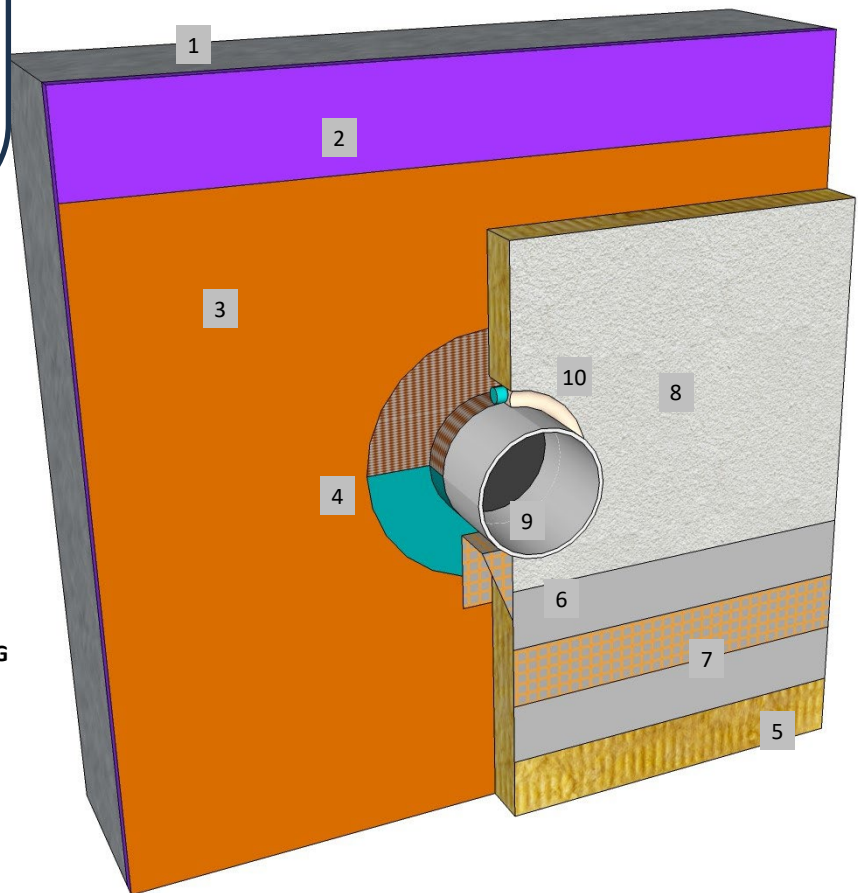
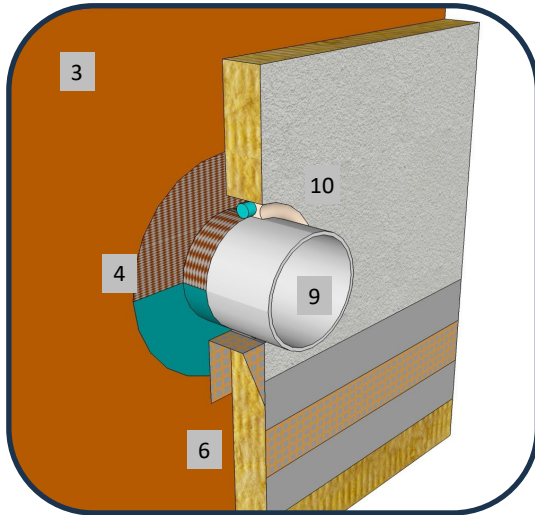




**Master Wall Inc.**  
Building a Culture of Excellence

**ROLLERSHIELD DRAINAGE  
CIFS® TYPE MW**

**SYSTEM DETAIL**



1. FRAMING
2. APPROVED SUBSTRATE
3. **ROLLERSHIELD AIR/WATER BARRIER**
4. **SUPERIORFLASH OR SUPERIORSHIELD FLASHING TAPE AROUND PIPE PENETRATION**
5. MINERAL WOOL INSULATION BOARD ADHERED WITH **CHANNELED ADHESIVE**
6. **BACKWRAPPED CIFS® SHOWN**
7. **MASTER WALL BASE COAT AND MESH**
8. **SUPERIOR FINISH**
9. PIPE PENETRATION
10. 1/2" (12.7 MM) MIN. SEALANT JOINT

**RDCIFSMW-21 TYPICAL PIPE PENETRATION DETAIL**

**M Master Wall Inc.**  
Building a Culture of Excellence

PO Box 397 · Fortson · GA · 31808 · 800-755-0825 · masterwall.com

These drawings relay the conceptual conditions of Master Wall® Systems and are not the construction drawings. Ultimately the design and detailing of an entire wall system is the responsibility of a professional. These details will guide the design professional in the use of Master Wall® Products. Master Wall disclaims design, warranty or construction intent or responsibility. **Bold or Brand Name = Master Wall® Product.** ©2025 Master Wall Inc.®